

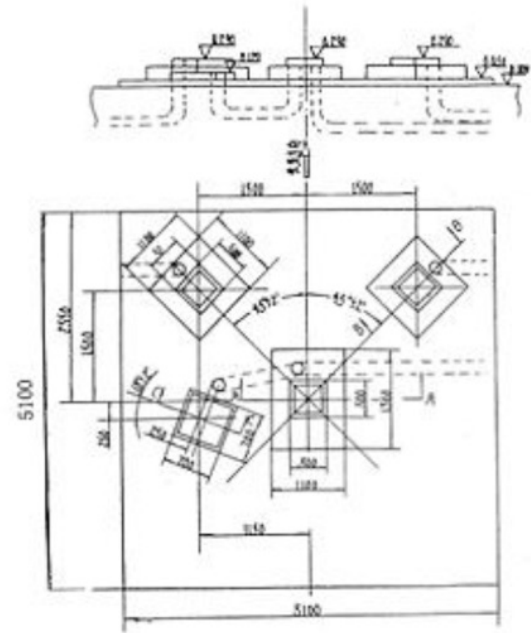
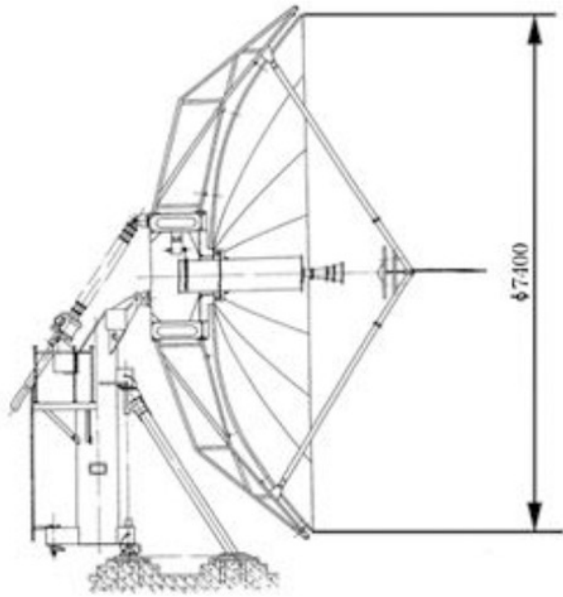
Suman®



Specification for 7.4m Antenna

Parameter Items			
		C-Band	Ku-Band
Type		WTX7.4 - 4/6	WTX7.4 - 12/14
Diameter of Antenna (m)		7.4	
Working Frequency (GHz)	TX	5.925-6.725GHz	14.0-14.5GHz
	RX	3.4-4.2GHz	*10.95-12.75GHz
Power Handling Capability (kW)		5	
Gain (dB)	TX	51.3	58.3
	RX	48.0	57.1
Antenna Noise Temperature (K) (20° Elevation °)		32	48
接收品质因素 (dB/K)			
	1st sidelobe	≤ -14	

	(dB)		
	Wide-angle sidelobe	$G (\theta) = 49 - 10 \lg (D / \lambda) - 25 \lg \theta$	
TX/Rx Isolation (dB)		≥ 85	
Port to Port Isolation (dB)		≥ 30	
. Cross Polarization Isolation on azial) (dB)		≥ 35	
VSWR		≤ 1.25	
Interface	TX	Flange platesFD - 70	Flange platesFD - 120
	RX	Flange plates FD - 40	Flange plates FD - 120
Tracking Way		Step into the track (Track precision 0.1 °)	
The adjustment range of antenna	AZ	$\pm 70 ^\circ$	
	EL	$5 ^\circ \sim 90 ^\circ$	
	The adjustment range of Polariaztion	$\pm 90 ^\circ$	
Environment Wind speed		20m/s Operational, , 55 m/s Survival	
Environment Temperature		$-35 ^\circ \text{C} \sim +55 ^\circ \text{C}$	
Using life		10 years	
Weight		3500kg	



[Request A Quote](#)