



# LNB

## CUSTOMIZABLE KA-BAND 9000 SERIES FOR LEO NETWORK

### SPECIFICATIONS



<b>Noise Figure</b>	1.3 dB typ., 1.5 dB max. at room temp. @ CF
<b>L.O. Stability</b>	±1.5 PPM, ±3.0PPM
<b>Phase Noise (SSB) max.</b>	-73 dBc/Hz at 1kHz -80 dBc/Hz at 10kHz -93 dBc/Hz at 100 kHz
<b>Input VSWR</b>	2.5 : 1 max.
<b>Output VSWR</b>	2.5 : 1 max.
<b>Gain</b>	60 dB typ., 55 dB min, 65 dB max.
<b>Gain Flatness (over full band)</b>	≤ 5 dB p-p max.
<b>Output P1dB</b>	+10 dBm min.

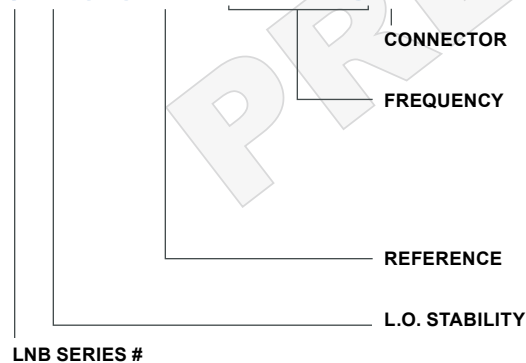
<b>DC Power</b>	+ 12V to + 24V DC (see below for Band Select)
<b>Tone:</b>	<b>Frequency</b> 22 kHz ± 4 kHz <b>Amplitude Voltage</b> 0.6 ± 0.2 V <b>Duty Cycle</b> 50% ± 10%
<b>Current</b>	725 mA max.
<b>Input (waterproof)</b>	WR-42 waveguide grooved
<b>Output (waterproof)</b>	F-Connector (75 Ohm) N-Connector (50 Ohm)
<b>Dimensions (L x W x H)</b>	120 mm x 60 mm x 45 mm (4.7 in x 2.4 in x 1.8 in)
<b>Weight</b>	400 g (14.11 oz)
<b>Operating Temperature</b>	- 40 to + 70°C
<b>Storage Temperature</b>	- 45 to + 80°C

### CUSTOMIZABLE FREQUENCY BANDS

- Frequency range from 17.2GHz - 22.2 GHz
- Band selection from single up to six bands
- Customize tuning with 50KHz Increments and up to 1 GHz per band

### HOW TO ORDER

## 9200HTABCN



**F** - 75 Ohm  
**N** - 50 Ohm

**Single-Band:** A / B / C / D  
**Dual-Band:** DA / DB / DC / DD / DE  
**Triple-Band:** TA / TB / TC / TD / TE  
**Quad-Band:** UA / UB  
**Five-Band:** PA  
(Please see next page for frequency bands)

**H:** Internal Reference  
**X:** External Reference

**1:** 10kHz  
**2:** ±25kHz  
**5:** ±50 kHz





## FREQUENCY BANDS

Band	Single Band	
A	Band 1	17.70-18.70
B	Band 2	18.45-19.45
C	Band 3	19.20-20.20
D	Band 4	18.70-19.70

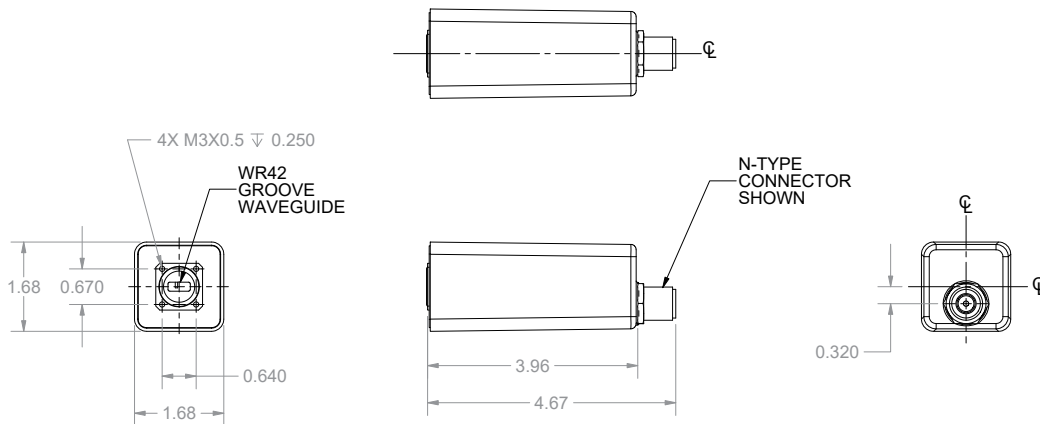
Band	Dual Band	Voltage/Tone
DA	Band 1	17.75-18.75 13 V
	Band 2	18.35-19.35 18 V
DB	Band 1	18.20-19.20 13 V
	Band 2	19.20-20.20 18 V
DC	Band 1	18.40-19.40 13 V
	Band 2	19.20-20.20 18 V
DD	Band 1	19.20-20.20 13 V
	Band 2	20.20-21.20 18 V
DE	Band 1	17.20-18.20 13 V
	Band 2	17.50-18.50 18 V

Band	Quad Band	Voltage/Tone
UA	Band 1	17.20-18.20 13 V
	Band 2	18.20-19.20 13 V / 22 kHz
	Band 3	19.20-20.20 18 V
	Band 4	20.20-21.20 18 V / 22kHz
UB	Band 1	17.50-18.50 13 V
	Band 2	18.40-19.40 13 V / 22 kHz
	Band 3	19.30-20.30 18 V
	Band 4	20.20-21.20 18 V / 22kHz

Band	Triple Band	Voltage/Tone
TA	Band 1	17.70-18.70 13 V
	Band 2	18.45-19.45 13 V / 22 kHz
	Band 3	19.20-20.20 18 V
TB	Band 1	17.70-18.70 13 V
	Band 2	18.70-19.70 13 V / 22 kHz
	Band 3	19.70-20.70 18 V
TC	Band 1	17.90-18.30 13 V
	Band 2	18.30-19.30 13 V / 22 kHz
	Band 3	19.30-20.30 18 V
TD	Band 1	18.20-19.20 13 V
	Band 2	19.20-20.20 13 V / 22 kHz
	Band 3	20.20-21.20 18 V
TE	Band 1	17.50-18.50 13 V
	Band 2	18.20-19.20 13 V / 22 kHz
	Band 3	19.20-20.20 18 V

Band	Five Band	Voltage/Tone
PA	Band 1	17.20-18.20 13 V
	Band 2	18.00-19.00 13 V / 22 kHz
	Band 3	18.70-19.70 18 V
	Band 4	19.40-20.40 18 V / 22kHz
	Band 5	20.30-21.30 24V

## MECHANICAL DIAGRAM



[Request A Quote](#)