



LNB KA-BAND EXT REF 9000X-4

SPECIFICATIONS

| | |
|---|---|
| Noise Figure | 1.6 dB max. at room temp. @ CF |
| L.O. Stability | Phase Locked to External Reference |
| Phase Noise (SSB) max. | -70 dBc at 1 kHz -80 dBc at 10 kHz -95 dBc at 100 kHz |
| Input VSWR | 2.5 : 1 max. |
| Output VSWR | 2.5 : 1 max. |
| Gain | 60 dB typ., 55 dB min. |
| Gain Flatness (over full band) | ≤ 4 dB p-p |
| Output P1dB | +5 dBm min. |



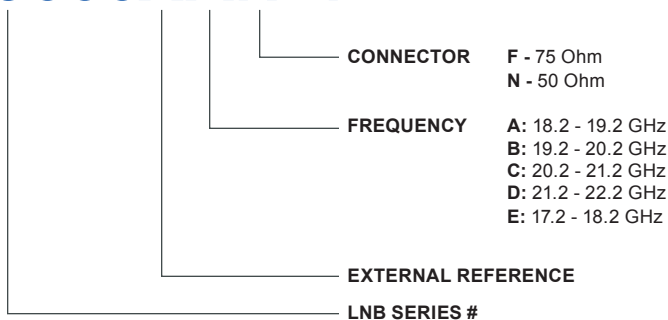
| | |
|-------------------------------|---|
| DC Power | +12V to +24V DC |
| Current | 400 mA max. |
| Input (waterproof) | WR-42 waveguide grooved |
| Output (waterproof) | F-Connector (75 ohm) N-Connector (50 ohm) |
| Dimensions (L x W x H) | 118mm x 60mm x 45mm (4.64in x 2.36in x 1.77in) |
| Weight | 450 g (15.87 oz) |
| Operating Temperature | -30 to +60°C |
| Storage Temperature | -40 to +80°C |
| External Ref Freq | 10 MHz (sine-wave), -5 to +5 dBm |

FREQUENCY BANDS

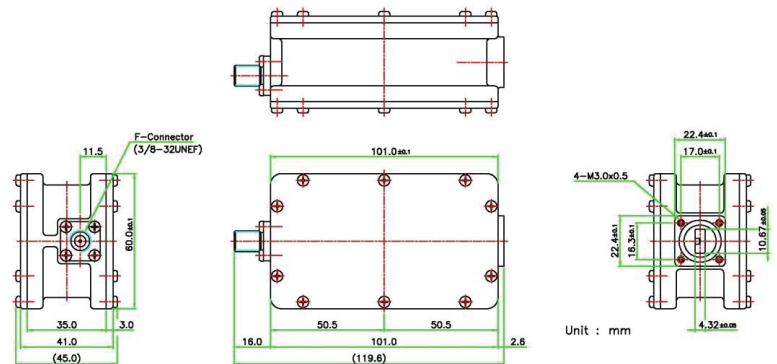
| | 9000XA-4 | 9000XB-4 | 9000XC-4 | 9000XD-4 | 9000XE-4 |
|-----------------------------|-------------|-------------|-------------|-------------|-------------|
| Frequency Band (GHz) | 18.2 - 19.2 | 19.2 - 20.2 | 20.2 - 21.2 | 21.2 - 22.2 | 17.2 - 18.2 |
| L.O. Frequency (GHz) | 17.25 | 18.25 | 19.25 | 20.25 | 16.25 |
| IF Frequency (MHz) | 950 - 1950 | 950 - 1950 | 950 - 1950 | 950 - 1950 | 950 - 1950 |

HOW TO ORDER

9000XAN-4



MECHANICAL DIAGRAM



Request A Quote