



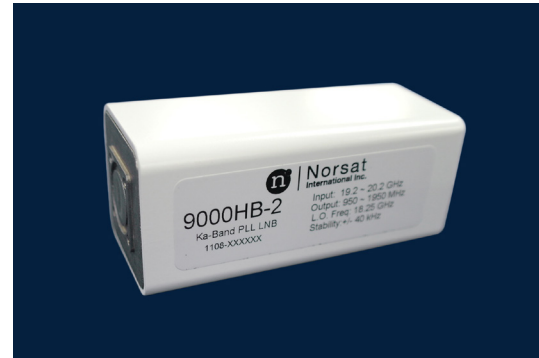
# LNB

## KA-BAND PLL

### 9000H-2

### SPECIFICATIONS

Noise figure	1.5dB typ., 1.8dB max.
L.O. stability	±60 kHz (3 ppm)
Phase noise (SSB)	-75 dBc/Hz at 1 kHz -80 dBc/Hz at 10 kHz -100 dBc/Hz at 100 kHz
Input VSWR	2.2 : 1
Output VSWR	2.0 : 1
Gain flatness over 1000 MHz	4.0 dB p-p
Gain variation over temperature @ fixed frequency (-40 to +60°C)	5 dB max



Conversion gain	50 dB min., 55 typ., 65 max.
Output P1dB	3 dBm
Power requirements	+15 to +24 V supplied through center conductor of IF cable
Current drain	160 typ., 300 max.
Input Waveguide	WR42
Dimensions	111 (L) x 42 (W) x 42 (H) mm
Weight	350 g
Temperature Range	-40°C to +60°C

### FREQUENCY BANDS AVAILABLE

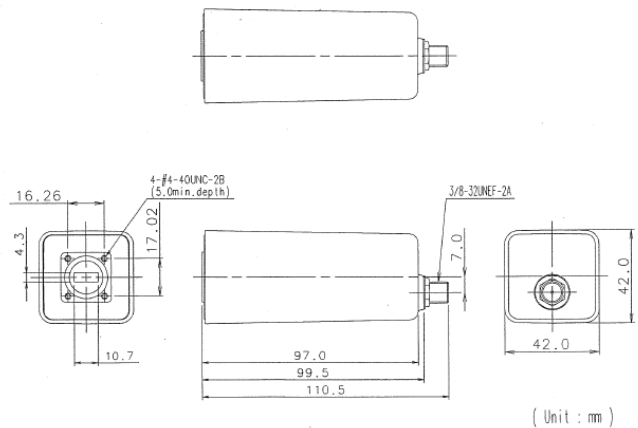
Typical service	9000HA-2	9000HB-2	9000HC-2
Input frequency (GHz)	18.20 to 19.20	19.20 to 20.20	20.20 to 21.20
L.O. frequency (GHz)	17.25	18.25	19.25
Output frequency (MHz)	950 to 1950	950 to 1950	950 to 1950

### HOW TO ORDER

## 9000HCN-2

COMPACT MODEL	
CONNECTOR	F - 75 Ohm N - 50 Ohm
FREQUENCY	A - 18.20 - 19.20 GHz B - 19.20 - 20.20 GHz C - 20.20 - 21.20 GHz
LNB SERIES #	

### MECHANICAL DIAGRAM



[Request A Quote](#)