



LNB

KA-BAND DUAL BAND EXT REF 9000XA/D

SPECIFICATIONS

Noise Figure	1.6 - 1.8 dB max. at room temp. @ CF
L.O. Stability	Phase Locked to External Reference
Phase Noise (SSB) max.	-70dBc at 1kHz -78dBc at 10kHz -95dBc at 100kHz
Input VSWR	2.5 : 1 max.
Output VSWR	2.5 : 1 max.
Gain	60 dB typ., 55 dB min., 65 dB max.
Gain Flatness (over full band)	≤ 5 dB p-p
Output P1dB	+ 5 dBm min.



DC Power	+ 12V to + 24V DC (See below for Band Select)
Current	400 mA max.
Input (waterproof)	WR-42 waveguide grooved
Output (waterproof)	F-Connector (75 Ohm) N-Connector (50 Ohm)
Dimensions (L x W x H)	118 mm x 60 mm x 45 mm (4.6 in x 2.4 in x 1.8 in)
Weight	400 g (14.11 oz)
Operating Temperature	- 40 to + 60°C
Storage Temperature	- 40 to + 80°C
External Ref Freq	10 MHz (sine-wave), -5 to +5 dBm

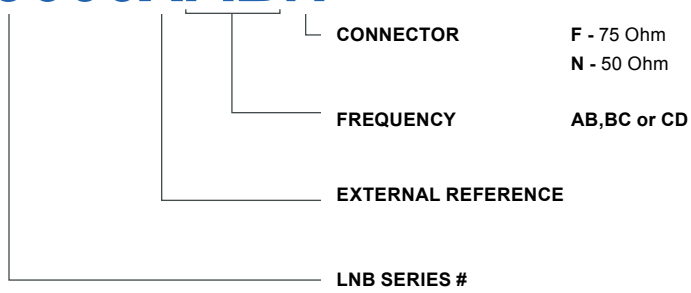
FREQUENCY BANDS

Model		Band 1 (13V)	Band 2 (18V)
AB	Frequency Band (GHz)	18.2 - 19.2	19.2 - 20.2
	L.O. Frequency (GHz)	17.25	18.25
	IF Frequency (MHz)	950 - 1950	950 - 1950
BC	Frequency Band (GHz)	19.2 - 20.2	20.2 - 21.2
	L.O. Frequency (GHz)	18.25	19.25
	IF Frequency (MHz)	950 - 1950	950 - 1950
CD	Frequency Band (GHz)	20.2 - 21.2	21.2 - 22.2
	L.O. Frequency (GHz)	19.25	20.25
	IF Frequency (MHz)	950 - 1950	950 - 1950

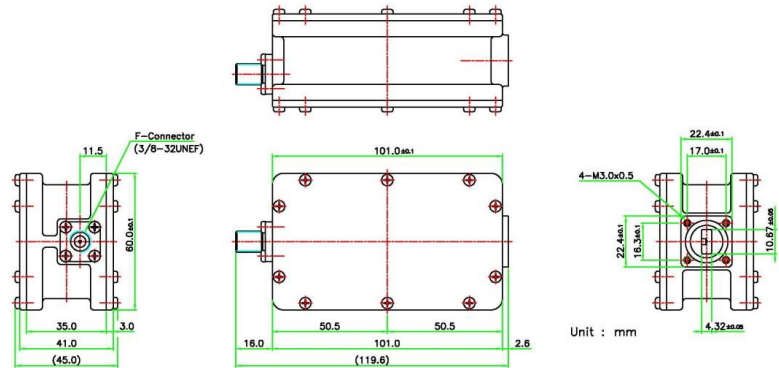


HOW TO ORDER

9000XABN



MECHANICAL DIAGRAM



Request A Quote