



# LNB

## C-BAND PLL

### 8000I

#### SPECIFICATIONS

<b>Noise Temperature at room temp. @CF</b>	20K: 20K typ., 24K Max. 25K: 25K typ., 28K Max. 30K: 30K typ., 32K Max.
<b>L.O. Stability</b>	±500 KHz max.
<b>Phase Noise (SSB) max.</b>	-65 dBc/Hz at 1 kHz -80 dBc/Hz at 10 kHz -95 dBc/Hz at 100 kHz
<b>Input VSWR</b>	2.0 : 1 max.
<b>Output VSWR</b>	2.2 : 1 max.
<b>Gain</b>	62 dB typ., 55 dB min., 70 dB max.
<b>Gain Flatness (over full band)</b>	≤ 5 dB p-p
<b>Output P1dB</b>	+ 5 dBm min.



<b>DC Power</b>	+ 12V to + 24V DC
<b>Current</b>	250 mA max.
<b>Input (waterproof)</b>	CPR 229G waveguide grooved
<b>Output (waterproof)</b>	F-Connector (75 Ohm) N-Connector (50 Ohm)
<b>Dimensions (L x W x H)</b>	180 mm x 100 mm x 70 mm (7.1 in x 4.0 in x 2.8 in)
<b>Weight</b>	450 g (15.87 oz)
<b>Operating Temperature</b>	- 40 to + 60°C
<b>Storage Temperature</b>	- 50 to + 70°C

#### FREQUENCY BANDS

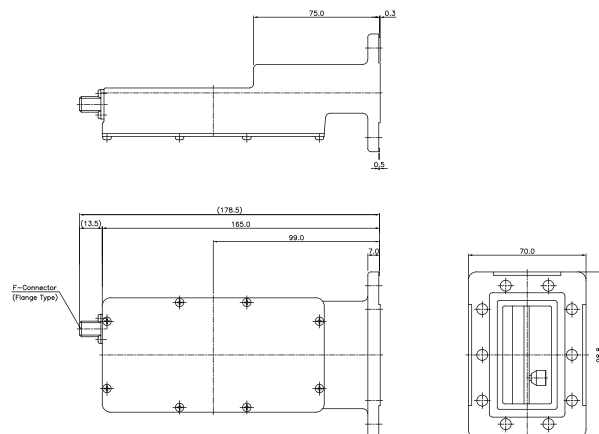
<b>Frequency Band (GHz)</b>	4.50 - 4.80
<b>L.O. Frequency (GHz)</b>	5.95
<b>IF Frequency (MHz)</b>	1150 - 1450

#### HOW TO ORDER

## 8525IF

CONNECTOR	F - 75 Ohm N - 50 Ohm
FREQUENCY	I: 4.5 - 4.8 GHz
NOISE TEMPERATURE	20 - 20K 25 - 25 K 30 - 30 K
L.O. STABILITY	5: ±500 kHz
LNB SERIES #	

#### MECHANICAL DIAGRAM



Request A Quote