



# LNB C-BAND PLL 5200I

## SPECIFICATIONS

<b>Noise Temperature</b>	15K typ., 30K max. at room temp. @ CF
<b>L.O. Stability</b>	± 150 KHz, ± 250 KHz
<b>Phase Noise (SSB) max.</b>	-65 dBc/Hz at 1 kHz -80 dBc/Hz at 10 kHz -95 dBc/Hz at 100 kHz
<b>Input VSWR</b>	2.5 : 1 max.
<b>Output VSWR</b>	2.5 : 1 max.
<b>Gain</b>	62 dB typ., 55 dB min., 70 dB max.
<b>Gain Flatness (over full band)</b>	≤ 5 dB p-p
<b>Output P1dB</b>	+ 5 dBm min.



<b>DC Power</b>	+ 12V to + 24V DC
<b>Current</b>	250 mA max.
<b>Input (waterproof)</b>	CPR 229G waveguide grooved
<b>Output (waterproof)</b>	F-Connector (75 Ohm) N-Connector (50 Ohm)
<b>Dimensions (L x W x H)</b>	180 mm x 102 mm x 71 mm (7.1 in x 4.0 in x 2.8 in)
<b>Weight</b>	580 g (20.45 oz)
<b>Operating Temperature</b>	- 40 to + 60°C
<b>Storage Temperature</b>	- 50 to + 70°C

## FREQUENCY BANDS

<b>Frequency Band (GHz)</b>	4.5 - 4.8
<b>L.O. Frequency (GHz)</b>	5.95
<b>IF Frequency (MHz)</b>	1150 - 1450

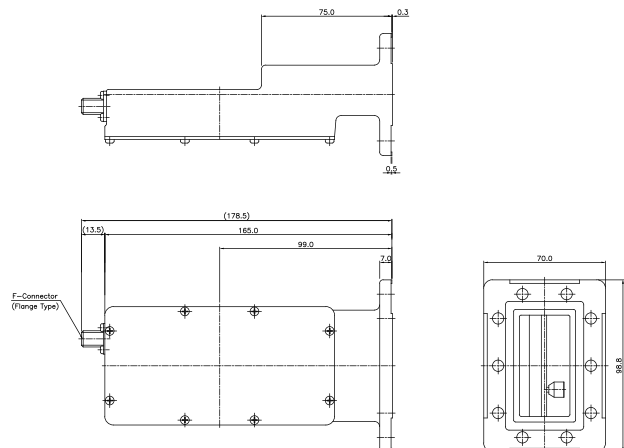
## HOW TO ORDER

### 5250IF



F - 75 Ohm  
N - 50 Ohm  
15: ±150 kHz  
25: ±250 kHz

## MECHANICAL DIAGRAM



Request A Quote