



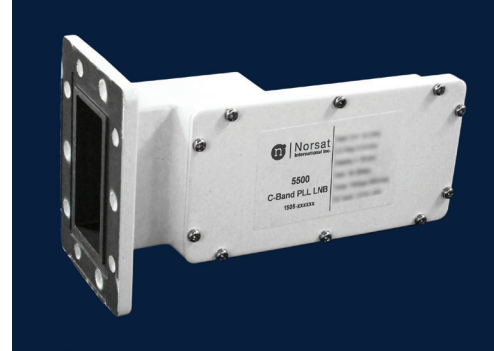
LNB

C-BAND PLL

5000

SPECIFICATIONS

Noise Temperature	15K typ., 30K max. at room temp. @ CF
L.O. Stability	± 50KHz - ± 100KHz Depending on model number
Phase Noise (SSB) max.	-65 dBc/Hz at 1 kHz -80 dBc/Hz at 10 kHz -95 dBc/Hz at 100 kHz
Input VSWR	2.3 : 1 max.
Output VSWR	2.3 : 1 max.
Gain	62 dB typ., 55 dB min., 70 dB max.
Gain Flatness (over full band)	≤ 5 dB p-p
Output P1dB	+ 10 dBm min.



DC Power	+ 12V to + 24V DC
Current	250 mA max.
Input (waterproof)	CPR 229G waveguide grooved
Output (waterproof)	F-Connector (75 Ohm) N-Connector (50 Ohm)
Dimensions (L x W x H)	190 mm x 115 mm x 78 mm (7.1 in x 4.0 in x 2.8 in)
Weight	580 g (20.45 oz)
Operating Temperature	- 40 to + 60°C
Storage Temperature	- 50 to + 70°C

FREQUENCY BANDS

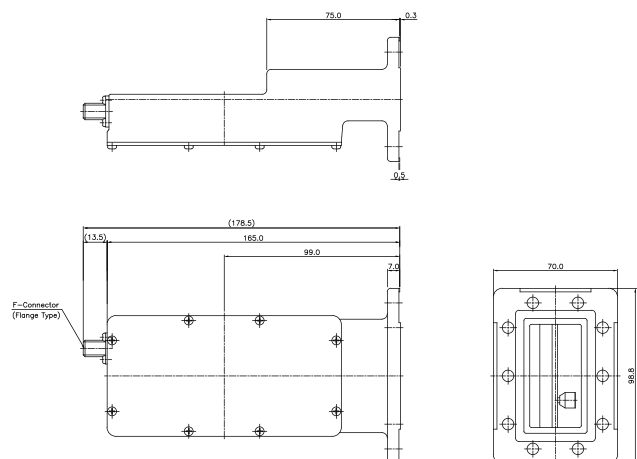
Frequency Band (GHz)	3.4 - 4.2
L.O. Frequency (GHz)	5.15
IF Frequency (MHz)	950 - 1750

HOW TO ORDER

5500F

CONNECTOR	F - 75 Ohm N - 50 Ohm
L.O. STABILITY	5: ±50 kHz 7: ±75 kHz 1: ±100 kHz
LNB SERIES #	

MECHANICAL DIAGRAM



[Request A Quote](#)