



# LNB

## KU-BAND QUAD BAND PLL

### 1000HU



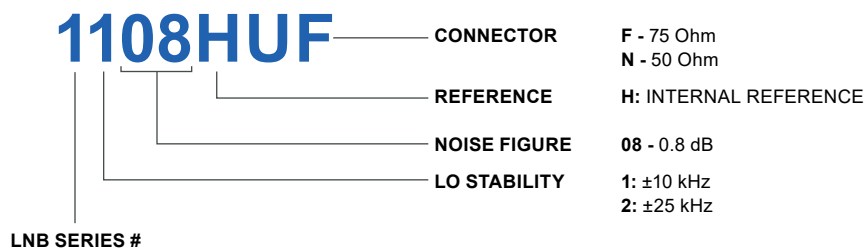
### SPECIFICATIONS

<b>Noise Figure</b>	0.8 dB typ., 1.0 dB max. at room temp. @ CF	<b>DC Power</b>	+ 12V to + 24V DC (See below for Band Select)
<b>L.O. Stability</b>	±10kHz, ±25 kHz	<b>Tone:</b>	<b>Frequency</b> 22 kHz ±4 kHz <b>Amplitude Voltage</b> 0.6 ± 0.2 V <b>Duty Cycle</b> 50% ±10%
<b>Phase Noise (SSB) max.</b>	-70 dBc at 1 kHz -80 dBc at 10 kHz -95 dBc at 100 kHz	<b>Current</b>	350 mA max.
<b>Input VSWR</b>	2.5 : 1 max.	<b>Input (waterproof)</b>	WR-75 waveguide grooved
<b>Output VSWR</b>	2.5 : 1 max.	<b>Output (waterproof)</b>	F-Connector (75 Ohm) N-Connector (50 Ohm)
<b>Gain</b>	60 dB typ., 55 dB min., 65 dB max.	<b>Dimensions (L x W x H)</b>	128 mm x 60 mm x 40 mm (5.04 in x 2.36 in x 1.57 in)
<b>Gain Flatness (over full band)</b>	5 dB p-p	<b>Weight</b>	450g max.
<b>Output P1dB</b>	+ 5 dBm min.	<b>Operating Temperature</b>	- 40 to +60°C
		<b>Storage Temperature</b>	- 40 to +80°C

### FREQUENCY BANDS

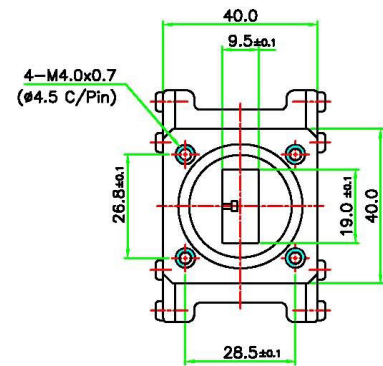
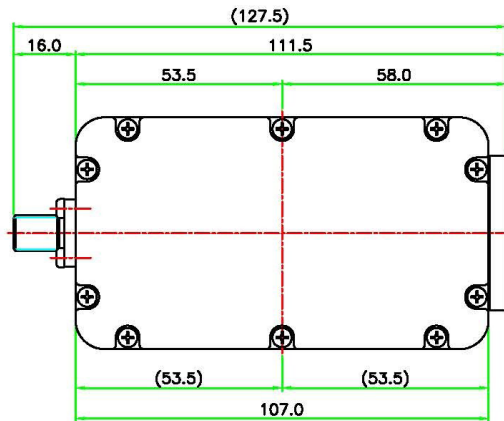
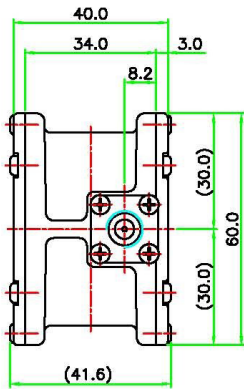
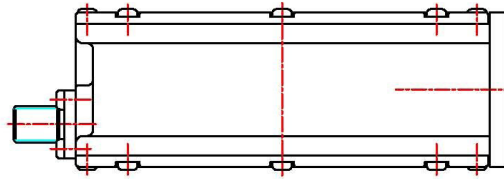
	<b>Band 1</b> (13V)	<b>Band 2</b> (13V / 22 kHz Tone)	<b>Band 3</b> (18V)	<b>Band 4</b> (18V / 22 kHz Tone)
<b>Frequency Band (GHz)</b>	10.70 - 11.70	10.95 - 11.70	11.70 - 12.75	12.25 - 12.75
<b>L.O. Frequency (GHz)</b>	9.75	10.00	10.75	11.30
<b>IF Frequency (MHz)</b>	950 - 1950	950 - 1700	950-2000	950 - 1450

### HOW TO ORDER





MECHANICAL DIAGRAM



UNIT : mm

Request A Quote