



LNA KA-BAND 9000 SERIES

SPECIFICATIONS

Frequency	20.20 - 21.20 GHz
Noise Figure	1.5 dB max. at room temp.
Input VSWR	2.2 : 1 max.
Output VSWR	2.2 : 1 max.
Gain	55 dB typ., 50 dB min., 62 dB max.
Gain Flatness (over full band)	≤ 4 dB p-p
Output P1dB	+ 8 dBm min.



DC Power	+ 15V to + 24V DC
Via	MS3112E10-6P
Current	300 mA max.
Input (waterproof)	WR-42 waveguide grooved
Output (waterproof)	SMA-Connector (50 Ohm)
Dimensions (L x W x H)	116 mm x 49 mm x 40 mm (4.56 in x 1.92 in x 1.57)
Weight	400 g (14.10 oz)
Operating Temperature	- 40 to + 60°C
Storage Temperature	- 40 to + 80°C

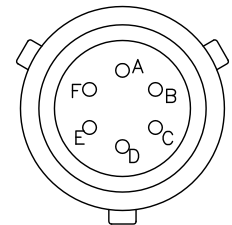
HOW TO ORDER

LNA-9000CS

CONNECTOR S - SMA 50 Ohm
LNA SERIES #

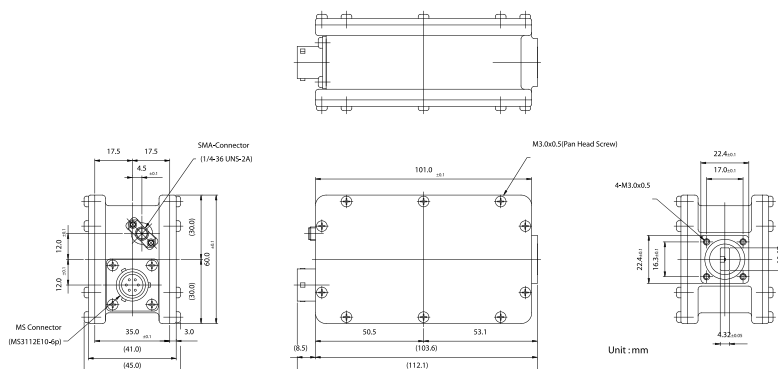
PIN-OUT

Connector	Signal Name
A	Supply Voltage
B	GND
C	GND
D	NC
E	NC
F	NC



Note: Mating connector is supplied.

MECHANICAL DIAGRAM



Request A Quote