



LNA

C-BAND

8000 SERIES

SPECIFICATIONS

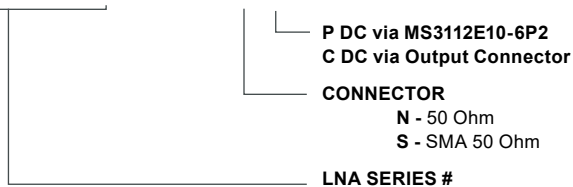
Frequency	3.40 - 4.20 GHz
Noise Temperature	30K max. at room temp.
Input VSWR	2.2 : 1 max.
Output VSWR	2.2 : 1 max.
Gain	52 dB typ., 50 dB min., 55 dB max.
Gain Flatness (over full band)	≤ 4 dB p-p
Output P1dB	+ 5 dBm min.



DC Power	+ 15V to + 24V DC
Via	MS3112E10-6P Output Connector
Current	150 mA max.
Input (waterproof)	CPR-229G waveguide grooved
Output (waterproof)	N-Connector (50 Ohm) SMA-Connector (50 Ohm)
Dimensions (L x W x H)	180 mm x 100 mm x 70 mm (7.08 in x 3.94 in x 2.75)
Weight	425 g (15.00 oz)
Operating Temperature	- 40 to + 60°C
Storage Temperature	- 40 to + 80°C

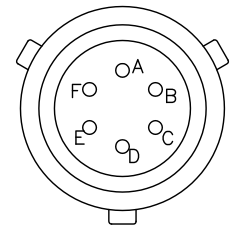
HOW TO ORDER

LNA-8000SP



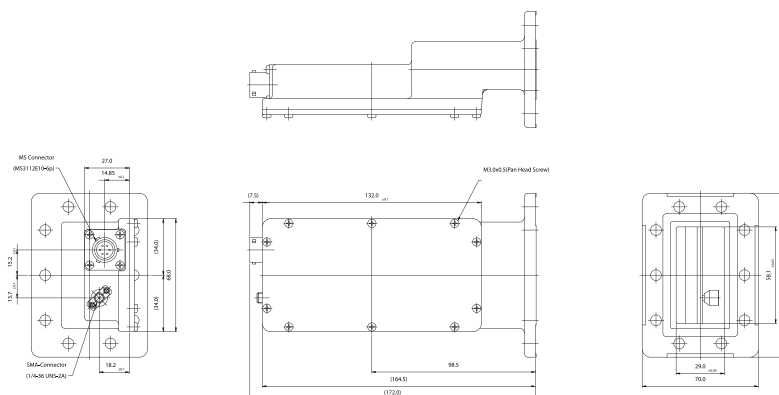
PIN-OUT

Connector	Signal Name
A	Supply Voltage
B	GND
C	GND
D	NC
E	NC
F	NC



Note: Mating connector is supplied.

MECHANICAL DIAGRAM



[Request A Quote](#)