



BUC/SSPA

KU-BAND 40W

ATOMBKU040

SPECIFICATIONS



Output Power (Psat)	47 dBm min.
Output Power (P1dB)	46 dBm min.
Phase Noise (SSB) max.	-72 dBc/Hz at 1kHz -82 dBc/Hz at 10kHz -92 dBc/Hz at 100kHz -102 dBc/Hz at 1MHz
Linear Gain	≥ 60 dB
Gain Flatness: (BUC)	Over Full Band ≤ 6.0 dB p-p Over Any 40 MHz ≤ 2.0 dB p-p Over Temperature ≤ 3.0 dB p-p
Gain Flatness: (SSPA)	Over Full Band ≤ 8.0 dB p-p Over Any 40 MHz ≤ 3.0 dB p-p Over Temperature ≤ 3.0 dB p-p
Output Spurious: (BUC)	In-Band ≤ -55 dBc Out-of-Band @ P1dB ≤ -55 dBc
Output Spurious: (SSPA)	In-Band ≤ -60 dBc Out-of-Band @ P1dB ≤ -55 dBc
Noise Power Density	-65 dBm/Hz in Tx -65 dBm/Hz in Rx
Input VSWR	2.0 : 1 max.
Output VSWR	2.0 : 1 max.

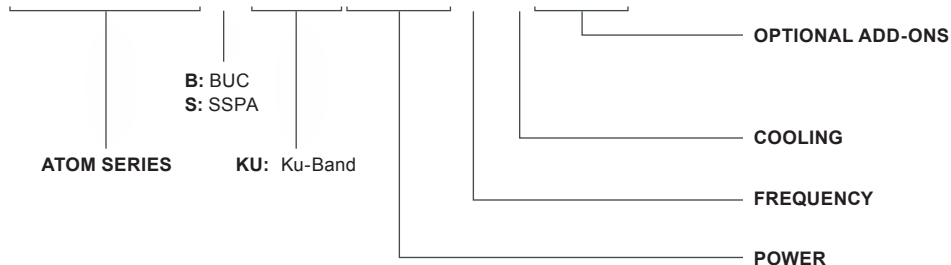
Input Voltage	+ 18V to + 56V DC via power connector
Power Consumption	305 W max.
Power Connector	MIL-26482 Series 1 receptacle Shell Size 12, 4 Pins 58-533723-04P
Input (waterproof)	Type N Connector (50 Ohm)
Output (waterproof)	WR-75 waveguide grooved
M&C Interface	RS-485 & RS-232
Dimensions (L x W x H) max.	169 mm x 90 mm x 193 mm (6.62 in x 3.58 in x 7.60 in)
Weight	< 2.5 kg (5.85 lb)
Operating Temperature	-40 to +60°C
Storage Temperature	-50 to +80°C
Humidity	100 % condensing
External Ref Freq	10MHz (sine-wave), -5 to +5 dBm
Enclosed Accessories	Screws, Gasket, M&C Connector, Power Connector

FREQUENCY BANDS

	S: Standard	E: Extended
Transmit Frequency (GHz)	14.0 - 14.5	13.75 - 14.5
L.O. Frequency (GHz)	13.05	12.80
IF Frequency (MHz)	950 - 1450	950 - 1700

HOW TO ORDER

ATOMBKU040S1FIP



BLANK: No Add-on
F: EMI/EMC Filter
I: Internal Reference
P: Surge Protection
FI: EMI/EMC Filter & Internal Reference
IP: Internal Reference & Surge Protection
FP: EMI/EMC Filter & Surge Protection
FIP: EMI/EMC Filter, Internal Reference & Surge Protection

1: Internal Fan
2: External Baseplate

S: Standard
E: Extended

040: 40W



KU-BAND 40W BUC: ATOMBKU040

MONITOR & CONTROL

M&C Interface:	RS-485 & RS-232
M&C Connector:	MIL-26482 Series 1 receptacle, Shell Size 12, 10 Pins 58-533723-10P
Mute Control:	Fully configurable (mute enable: high or low, mute default: enabled or disabled)
Low	0.0 - 0.8V
High	3.0 - 5.0V

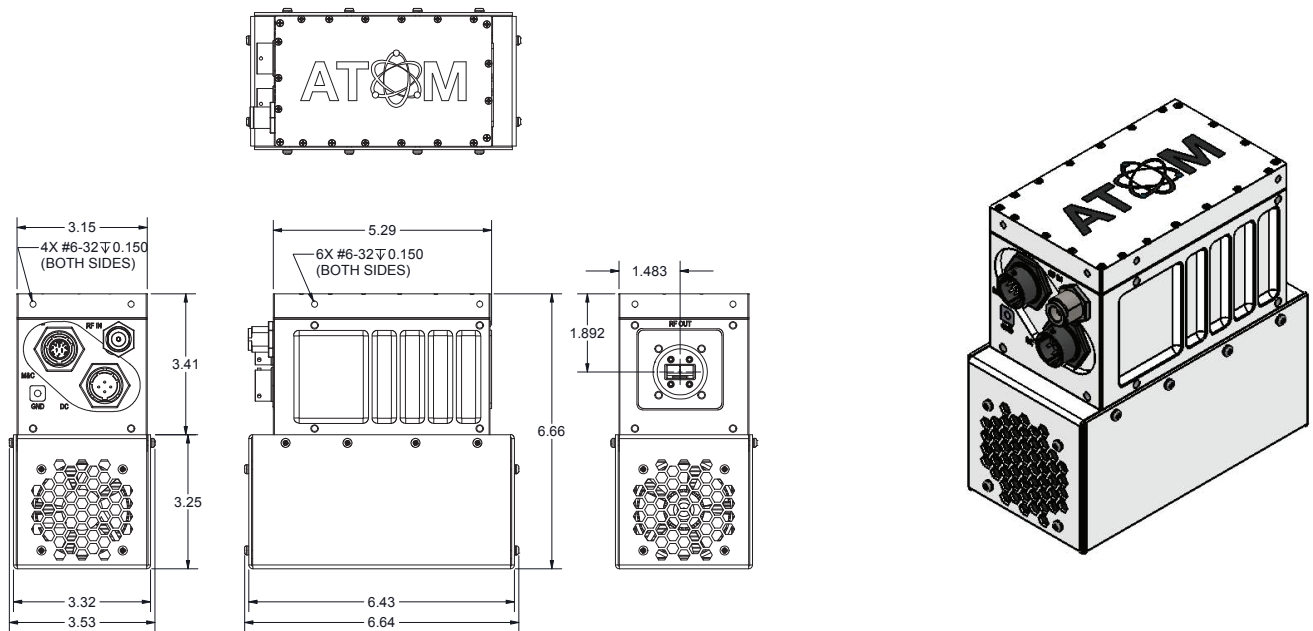
OPTIONAL CONFIGURATION ADD-ONS

EMI/EMC Filter:	MIL-STD-461
Internal Reference:	With External 10 MHz Reference Auto-Switch
Surge Protection:	MIL-STD-1275D

OPTIONAL ACCESSORIES

Power Supply	PS300-AT1-(NA/UK/EU/IEC)
M&C Cable	CABLEM+C-AT10

MECHANICAL DIAGRAM



[Request A Quote](#)