

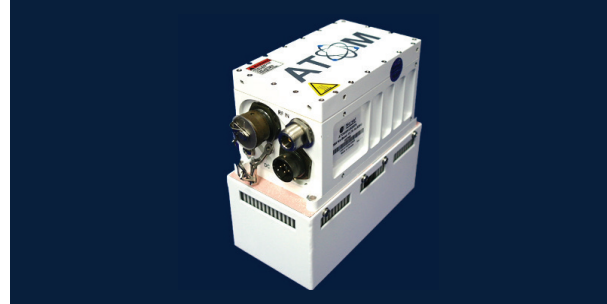


BUC/SSPA

KU-BAND 16W 20W

ATOMBKU

SPECIFICATIONS



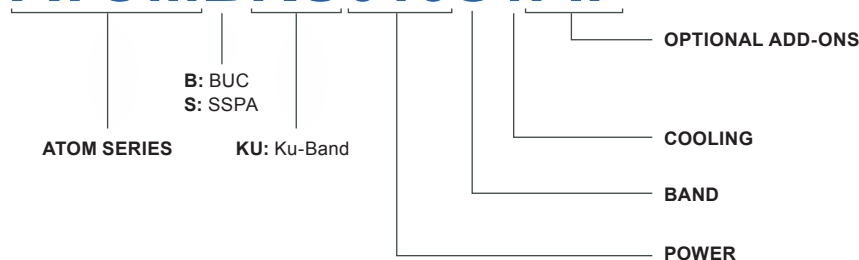
| | ATOMBKU016 | ATOMBKU020 | Input Voltage | + 18V to + 56V DC via power connector |
|--|-------------|--|-----------------------------|---|
| Output Power (Psat) | 43 dBm min. | 44 dBm min. | Power Consumption | 210 W max. |
| Output Power (P1dB) | 42 dBm min. | 43 dBm min. | Power Connector | MIL-26482 Series 1 receptacle Shell Size 12, 4 Pins 58-533723-04P |
| Phase Noise (SSB) max. | | -72 dBc/Hz at 1kHz -82 dBc/Hz at 10kHz -92 dBc/Hz at 100kHz -102 dBc/Hz at 1MHz | Input (waterproof) | Type N Connector (50 Ohm) |
| Linear Gain | | ≥ 60 dB | Output (waterproof) | WR-75 waveguide grooved |
| Gain Flatness: Over Full Band (BUC) | | ≤ 6.0 dB p-p Over Any 40 MHz Over Temperature ≤ 2.0 dB p-p ≤ 3.0 dB p-p | M&C Interface | RS-485 & RS-232 |
| Gain Flatness: Over Full Band (SSPA) | | ≤ 8.0 dB p-p Over Any 40 MHz Over Temperature ≤ 3.0 dB p-p ≤ 3.0 dB p-p | Dimensions (L x W x H) max. | 164 mm x 91 mm x 181 mm (6.48 in x 3.60 in x 7.14 in) |
| Output Spurious: In-Band (BUC) | | ≤ -55 dBc | Weight | < 2.4 kg (5.30 lb) |
| Output Spurious: In-Band (SSPA) | | ≤ -60 dBc | Operating Temperature | -40 to +60°C |
| Output Spurious: Out-of-Band @ P1dB (BUC) | | ≤ -55 dBc | Storage Temperature | -50 to +80°C |
| Output Spurious: Out-of-Band @ P1dB (SSPA) | | ≤ -55 dBc | Humidity | 100% condensing |
| Noise Power Density | | -65 dBm/Hz in Tx -65 dBm/Hz in Rx | External Ref Freq | 10 MHz (sine-wave), -5 to +5 dBm |
| Input VSWR | | 2.0 : 1 max. | Enclosed Accessories | Screws, Gasket, M&C Connector, Power Connector |
| Output VSWR | | 2.0 : 1 max. | | |

FREQUENCY BANDS

| | S: Standard | E: Extended |
|--------------------------|-------------|--------------|
| Transmit Frequency (GHz) | 14.0 - 14.5 | 13.75 - 14.5 |
| L.O. Frequency (GHz) | 13.05 | 12.80 |
| IF Frequency (MHz) | 950 - 1450 | 950 - 1700 |

HOW TO ORDER

ATOMBKU016S1FIP



BLANK: No Add-on
F: EMI/EMC Filter
I: Internal Reference
P: Surge Protection
FI: EMI/EMC Filter & Internal Reference
IP: Internal Reference & Surge Protection
FIP: EMI/EMC Filter & Surge Protection
FIP: EMI/EMC Filter, Internal Reference & Surge Protection

1: Internal Fan
2: External Baseplate

S: Standard
E: Extended

016: 16W
020: 20W



KU-BAND 16W 20W BUC: ATOMBKU

MONITOR & CONTROL

| | |
|-------------------------------------|--|
| M&C Interface: | RS-485 & RS-232 |
| M&C Connector: | MIL-26482 Series 1 receptacle Shell Size 12, 10 Pins 58-533723-10P |
| Mute Control: | Fully configurable (mute enable: high or low, mute default: enabled or disabled) |
| Low | 0.0 - 0.8V |
| High | 3.0 - 5.0V |
| Thermal Shutdown Temperature | 90°C (Accuracy $\pm 3^\circ\text{C}$) |

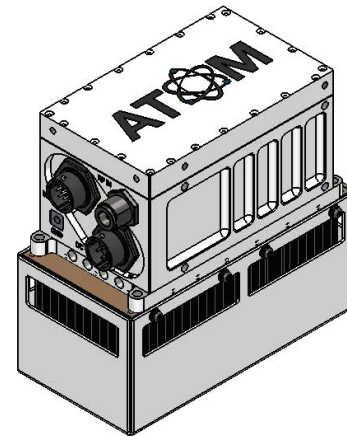
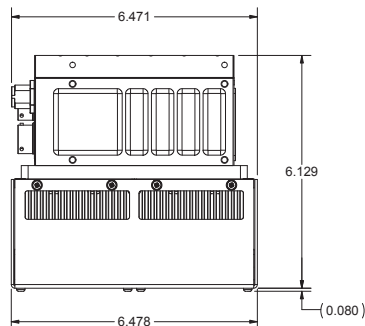
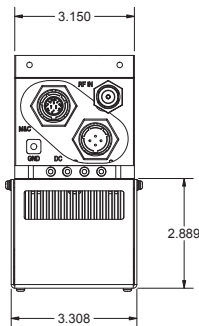
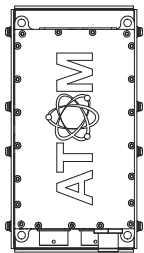
OPTIONAL CONFIGURATION ADD-ONS

| | |
|----------------------------|--|
| EMI/EMC Filter: | MIL-STD-461 |
| Internal Reference: | With External 10 MHz Reference Auto-Switch |
| Surge Protection: | MIL-STD-1275D |

OPTIONAL ACCESSORIES

| | |
|----------------------------|--------------------------|
| Power Supply | PS300-AT1-(NA/UK/EU/IEC) |
| M&C Cable (10m) | CABLEM+C-AT10 |

MECHANICAL DIAGRAM



[Request A Quote](#)