

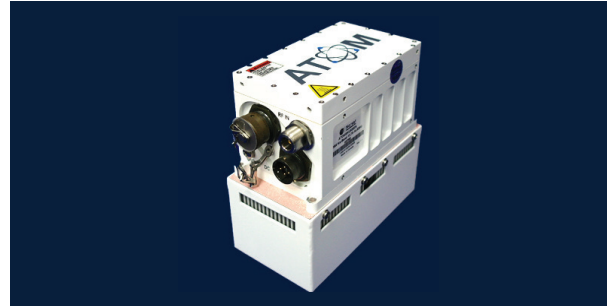


BUC/SSPA

KU-BAND 16W 20W

ATOMBKU

SPECIFICATIONS



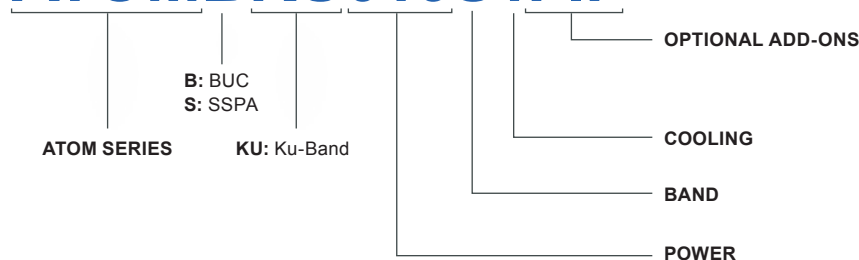
	ATOMBKU016	ATOMBKU020		
Output Power (Psat)	43 dBm min.	44 dBm min.	Input Voltage	+ 18V to + 56V DC via power connector
Output Power (P1dB)	42 dBm min.	43 dBm min.	Power Consumption	210 W max.
Phase Noise (SSB) max.		-72 dBc/Hz at 1kHz -82 dBc/Hz at 10kHz -92 dBc/Hz at 100kHz -102 dBc/Hz at 1MHz	Power Connector	MIL-26482 Series 1 receptacle Shell Size 12, 4 Pins 58-533723-04P
Linear Gain		≥ 60 dB	Input (waterproof)	Type N Connector (50 Ohm)
Gain Flatness: Over Full Band (BUC)		≤ 6.0 dB p-p	Output (waterproof)	WR-75 waveguide grooved
Gain Flatness: Over Any 40 MHz (SSPA)		≤ 2.0 dB p-p	M&C Interface	RS-485 & RS-232
Gain Flatness: Over Temperature		≤ 3.0 dB p-p	Dimensions (L x W x H) max.	164 mm x 91 mm x 181 mm (6.48 in x 3.60 in x 7.14 in)
Output Spurious: In-Band (BUC)		≤ -55 dBc	Weight	< 2.4 kg (5.30 lb)
Output Spurious: Out-of-Band @ P1dB (SSPA)		≤ -55 dBc	Operating Temperature	-40 to +60°C
Output Spurious: In-Band (SSPA)		≤ -60 dBc	Storage Temperature	-50 to +80°C
Output Spurious: Out-of-Band @ P1dB (SSPA)		≤ -55 dBc	Humidity	100% condensing
Noise Power Density		-65 dBm/Hz in Tx -65 dBm/Hz in Rx	External Ref Freq	10 MHz (sine-wave), -5 to +5 dBm
Input VSWR		2.0 : 1 max.	Enclosed Accessories	Screws, Gasket, M&C Connector, Power Connector
Output VSWR		2.0 : 1 max.		

FREQUENCY BANDS

	S: Standard	E: Extended
Transmit Frequency (GHz)	14.0 - 14.5	13.75 - 14.5
L.O. Frequency (GHz)	13.05	12.80
IF Frequency (MHz)	950 - 1450	950 - 1700

HOW TO ORDER

ATOMBKU016S1FIP



BLANK: No Add-on
F: EMI/EMC Filter
I: Internal Reference
P: Surge Protection
FI: EMI/EMC Filter & Internal Reference
IP: Internal Reference & Surge Protection
FIP: EMI/EMC Filter & Surge Protection
FIP: EMI/EMC Filter, Internal Reference & Surge Protection

1: Internal Fan
2: External Baseplate

S: Standard
E: Extended

016: 16W
020: 20W



KU-BAND 16W 20W BUC: ATOMBKU

MONITOR & CONTROL

M&C Interface:	RS-485 & RS-232
M&C Connector:	MIL-26482 Series 1 receptacle Shell Size 12, 10 Pins 58-533723-10P
Mute Control:	Fully configurable (mute enable: high or low, mute default: enabled or disabled)
Low	0.0 - 0.8V
High	3.0 - 5.0V
Thermal Shutdown Temperature	90°C (Accuracy \pm 3°C)

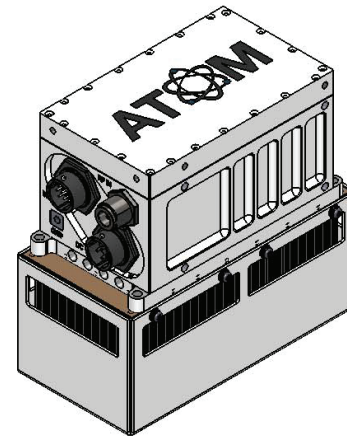
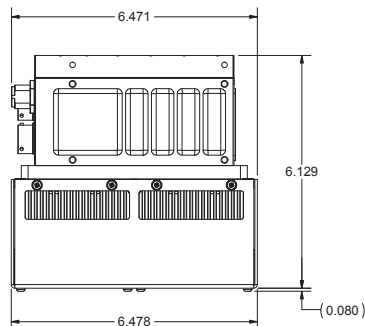
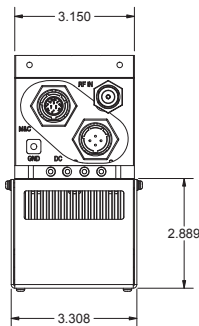
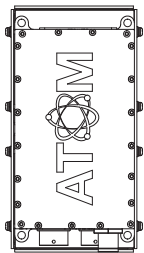
OPTIONAL CONFIGURATION ADD-ONS

EMI/EMC Filter:	MIL-STD-461
Internal Reference:	With External 10 MHz Reference Auto-Switch
Surge Protection:	MIL-STD-1275D

OPTIONAL ACCESSORIES

Power Supply	PS300-AT1-(NA/UK/EU/IEC)
M&C Cable (10m)	CABLEM+C-AT10

MECHANICAL DIAGRAM



[Request A Quote](#)