



BDC KA-BAND EXT REF 9000X SERIES

SPECIFICATIONS

Noise Figure	18 dB max. at room temp.
L.O. Stability	Phase Locked to External Reference
Phase Noise (SSB) max.	Depends on External Reference
Input VSWR	2.2 : 1 max.
Output VSWR	2.2 : 1 max.
Gain	25 dB typ., 22 dB min., 28 dB max.
Gain Flatness (over full band)	≤ 4 dB p-p
Output P1dB	+ 5 dBm min.



DC Power	+ 15V to + 24V DC
Current	350 mA max.
Input (waterproof)	SMA-Connector (50 Ohm)
Output (waterproof)	F-Connector (75 Ohm) N-Connector (50 Ohm) SMA-Connector (50 Ohm)
Dimensions (L x W x H)	90 mm x 78 mm x 40 mm (3.54 in x 3.07 in x 1.57 in)
Weight	400 g (14.11 oz)
Operating Temperature	- 40 to + 60°C
Storage Temperature	- 40 to + 80°C
External Ref Freq	10 MHz (sine-wave), -10 to 0 dBm
Protection Grade	IP67

FREQUENCY BANDS

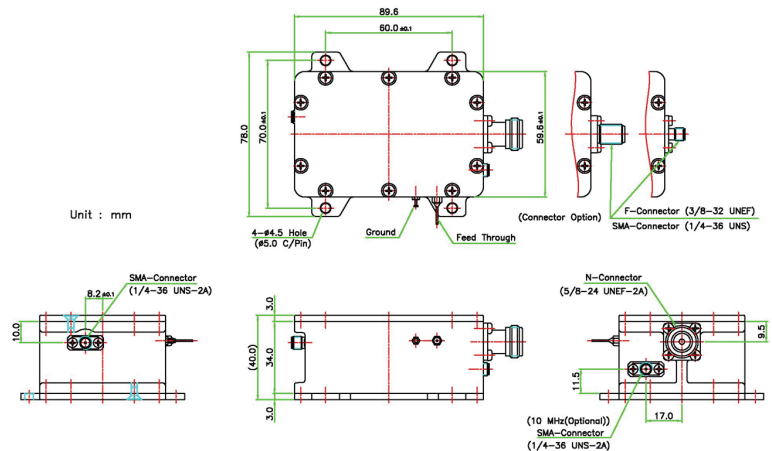
	9000XA	9000XB	9000XC	9000XD
Frequency Band (GHz)	18.20 - 19.20	19.20 - 20.20	20.20 - 21.20	21.20 - 22.20
L.O. Frequency (GHz)	17.75	18.25	19.25	20.25
IF Frequency (MHz)	950 - 1950	950 - 1950	950 - 1950	950 - 1950

HOW TO ORDER

BDC-9000XBN

CONNECTOR	F - 75 Ohm N - 50 Ohm S - SMA 50 Ohm
FREQUENCY	A - 18.2 to 19.2 GHz B - 19.2 to 20.2 GHz C - 20.2 to 21.2 GHz D - 21.2 to 22.2 GHz
EXTERNAL REFERENCE	
BDC SERIES #	

MECHANICAL DIAGRAM



Request A Quote