



# BDC KA-BAND 9000 SERIES

## SPECIFICATIONS

<b>Noise Figure</b>	18 dB max. at room temp.
<b>L.O. Stability</b>	± 50 kHz max.
<b>Phase Noise (SSB) max.</b>	-70 dBc/Hz at 1 kHz -80 dBc/Hz at 10 kHz -95 dBc/Hz at 100 kHz
<b>Input VSWR</b>	2.2 : 1 max.
<b>Output VSWR</b>	2.2 : 1 max.
<b>Gain</b>	25 dB typ., 22 dB min., 28 dB max.
<b>Gain Flatness (over full band)</b>	≤ 4 dB p-p
<b>Output P1dB</b>	+ 5 dBm min.



<b>DC Power</b>	+ 15V to + 24V DC
<b>Via</b>	Feed-Through and Output Connector Output Connector Feed-Through
<b>Current</b>	350 mA max.
<b>Input (waterproof)</b>	SMA-Connector (50 Ohm)
<b>Output (waterproof)</b>	F-Connector (75 Ohm) N-Connector (50 Ohm) SMA-Connector (50 Ohm)
<b>Dimensions (L x W x H)</b>	90 mm x 78 mm x 44 mm (3.54 in x 3.07 in x 1.73 in)
<b>Weight</b>	400 g (14.11 oz)
<b>Operating Temperature</b>	- 40 to + 60°C
<b>Storage Temperature</b>	- 40 to + 80°C
<b>Protection Grade</b>	IP67

## FREQUENCY BANDS

	9000A	9000B	9000C	9000D
<b>Frequency Band (GHz)</b>	18.20 - 19.20	19.20 - 20.20	20.20 - 21.20	21.20 - 22.20
<b>L.O. Frequency (GHz)</b>	17.75	18.25	19.25	20.25
<b>IF Frequency (MHz)</b>	950 - 1950	950 - 1950	950 - 1950	950 - 1950

## HOW TO ORDER

# BDC-9000AND

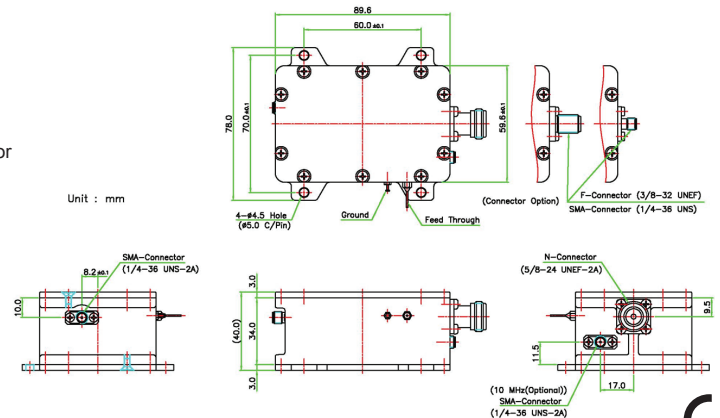
D - DC Power through Feed-Through and Output Connector  
C - DC Power through Output Connector  
P - DC Power through Feed-Through

**CONNECTOR** F - 75 Ohm  
N - 50 Ohm  
S - SMA 50 Ohm

**FREQUENCY** A - 18.2 to 19.2 GHz  
B - 19.2 to 20.2 GHz  
C - 20.2 to 21.2 GHz  
D - 21.2 to 22.2 GHz

**BDC SERIES #**

## MECHANICAL DIAGRAM



Request A Quote

