



BDC C-BAND EXT REF 3000X SERIES

SPECIFICATIONS

Noise Figure	10 dB max. at room temp.
L.O. Stability	Phase Locked to External Reference
Phase Noise (SSB) max.	Depends on External Reference
Input VSWR	2.0 : 1 max.
Output VSWR	2.0 : 1 max.
Gain	40 dB typ., 38 dB min., 42 dB max.
Gain Flatness (over full band)	≤ 4 dB p-p
Output P1dB	+ 5 dBm min.



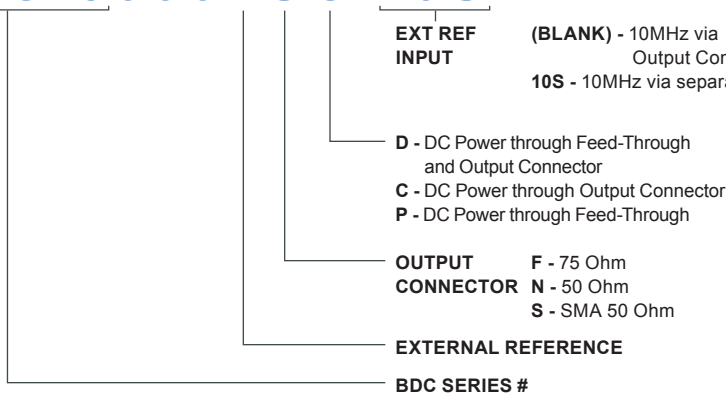
DC Power	+ 12V to + 24V DC
Via	Feed-Through and Output Connector Output Connector Feed-Through
Current	300 mA max.
Input (waterproof)	SMA-Connector (50 Ohm)
Output (waterproof)	F-Connector (75 Ohm) N-Connector (50 Ohm) SMA-Connector (50 Ohm)
Dimensions (L x W x H)	129 mm x 94 mm x 46 mm (5.07 in x 3.70 in x 1.81 in)
Weight	700 g (24.70 oz)
Operating Temperature	- 40 to + 60°C
Storage Temperature	- 40 to + 80°C
External Ref Freq	10 MHz (sine-wave), -10 to 0 dBm

FREQUENCY BANDS

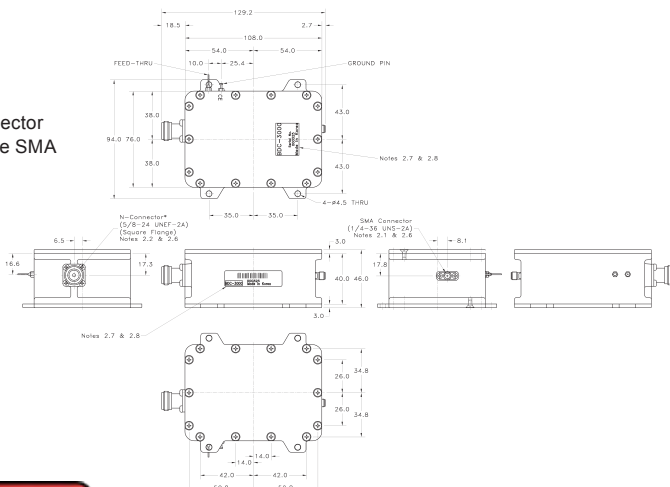
Frequency Band (GHz)	3.40 - 4.20
L.O. Frequency (GHz)	5.15
IF Frequency (MHz)	950 - 1750

HOW TO ORDER

BDC-3000XSC-10S



MECHANICAL DIAGRAM



Request A Quote