



# BUC

## KA-BAND 25W

### ATOMBKA025



#### NORSAT ATOM SERIES BUCS

Compared to equivalent products, ATOM series BUCs are:

- *Up to 20% smaller*
- *Up to 50% lighter*
- *Internal isolation to provide reflected power protection*

The Norsat ATOM series of block upconverters (BUC) are among the smallest, lightest, and most energy efficient transmitters available. The high efficiency of ATOM reduces power consumption significantly, delivering considerable operational cost savings over the lifetime of the device.

#### RF CONFIGURATIONS

##### Transmit Frequency

Military band	30.0 to 31.0 GHz
Commercial band 1	29.0 to 30.0 GHz

##### Input Frequency

Military band	1 to 2 GHz
Commercial band 1	950 to 1950 MHz

\* Custom within range

#### OPTIONS

##### The following items are standard:

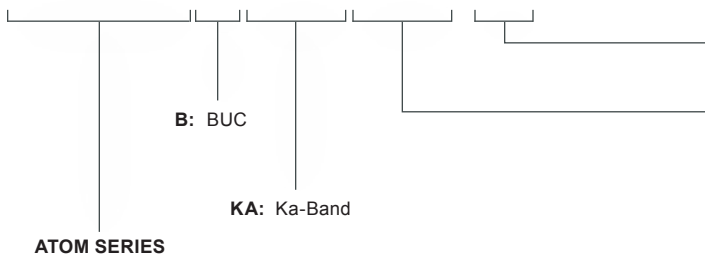
White paint, EMI/EMC Filter, Auto-Sensing Internal/External Reference, Low Voltage Operation, Fast Switching.

##### Available options include:

Baseplate Cooling, Ethernet M+C, 1275D Surge + Protect Filter.

#### HOW TO ORDER

## ATOMBKA025-M



##### Band

M - Military  
C - Commercial  
D - Dual Band

##### Psat

025 - 25W  
050 - 50W

# KA-BAND 25W BUC-ATOMBKA025

## RF SPECIFICATIONS

Output Power (Psat)	44 dBm
Output Power (P1in)	> 41 dBm
Phase Noise	-72 dBc/Hz at 100 Hz -72 dBc/Hz at 1 KHz -82 dBc/Hz at 10 KHz -92 dBc/Hz at 100 kHz -102 dBc/Hz at 1 MHz
Noise Figure	15 dB
Conversion Gain	60 dB min
Gain Variation over 40MHz	+/- 0.5 dB
Gain Variation over 500 MHz	+/- 1.5 dB
Gain Variation over 1000 MHz	+/- 2.0 dB
Gain Variation over temperature	+/- 2 dB
Spurious in Band	-55 dBc
Spectral Regrowth @ P1in	-30 dBc
3rd Order Intermod @ P1in	-25 dBc

## ENVIRONMENTAL & PHYSICAL

Operating Temperature	-40 to +60°C (-40° to +140°F)
Storage Temperature	-54 to +105°C (-65° to +221°F)
Outline Dimensions	7.10 x 3.64 x 6.83"
Weight	2.9 kg (6.3 lbs)
Enclosed accessories	Screws, gasket, M&C mating connector, power mating connector

## POWER

Input Voltage	20 – 56 VDC
Power Consumption	200W @ Psat 150W @ P1in 25W muted
Power Connector	MIL-26482 Series 1 Shell size 12, 4 pins

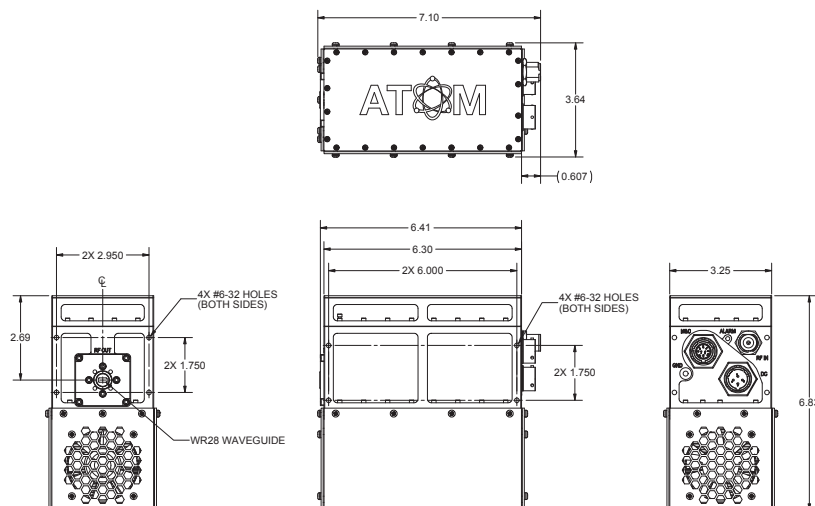
## MONITOR & CONTROL

Discrete Mute Control Voltage ranges	0 - 0.8 V 3.0 - 5.0 V
Low	0 - 0.8 V
High	3.0 - 5.0 V
Fully programmable	
Mute enable can be high or low	
Mute default can be enabled or disabled	
M&C Connector	MIL-26482 Series 1 Shell size 12, 10 pins
M&C Signaling	RS-485, RS-232 or Ethernet

## INTERFACES

Input VSRW	1.5 : 1
Output VSRW	1.5 : 1
RF Input Connector	N (50 Ω)
RF Output Connector	WR-28

## MECHANICAL DIAGRAM



Request A Quote