



# BUC

## MEDIAN SERIES

### KU-BAND 40W

### MEDIBKU040



#### NORSAT MEDIAN SERIES BUCS

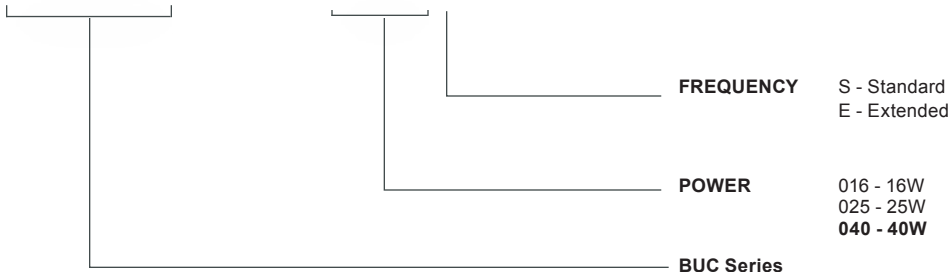
Norsat Satellite Communication solutions are renowned for their high quality, reliability, and innovation. The Ku-band MEDIAN series has been designed with both performance and economy in mind, making it ideal for VSAT applications where size, weight and power constraints are not as stringent.

#### FREQUENCY BANDS

Model	MEDIBKU040S	MEDIBKU040E
Output frequency (MHz)	14.0 – 14.5 GHz	13.75 – 14.5 GHz
L.O. frequency (GHz)	13.05 GHz	12.80 GHz
Input frequency (MHz)	950 – 1450 MHz	950 – 1700 MHz

#### HOW TO ORDER

## MEDIBKU040S



\*Call for additional options.



# KU-BAND 40W BUC - MEDIBKU040

## RF SPECIFICATIONS

Output Power (Psat)	46 dBm min
External Reference	10 MHz
Reference Power Level	-5 dBm to +5dBm
Phase Noise (SSB)	-73 dBc/Hz at 1 KHz -83 dBc/Hz at 10 KHz -93 dBc/Hz at 100 KHz -103 dBc/Hz at 1 MHz
Gain	65 dB nominal
Gain flatness	+/- 1.5 dB over full std band +/- 2.0 dB over full ext band +/- 0.5 dB over 36 MHz
Gain variation over temperature	+/- 1.5 dB
Output Spurious	-55 dBc max
IM3	25 dBc at 3 dB back-off from rated 30 dBc at 6 dB back-off from rated
Gain Adjustment Range	20 dB

## INTERFACES

Input VSWR	1.5 : 1
Output VSWR	1.25 : 1
Input Connector	Type-N, female
Output Connector	WR75-G (grooved)

## ENVIRONMENTAL & PHYSICAL

Temperature (operational)	-30°C to +55°C
Humidity (operational)	IP65
Dimensions (L x W x H)	206 x 136 x 117 mm
Weight	4.5 kg

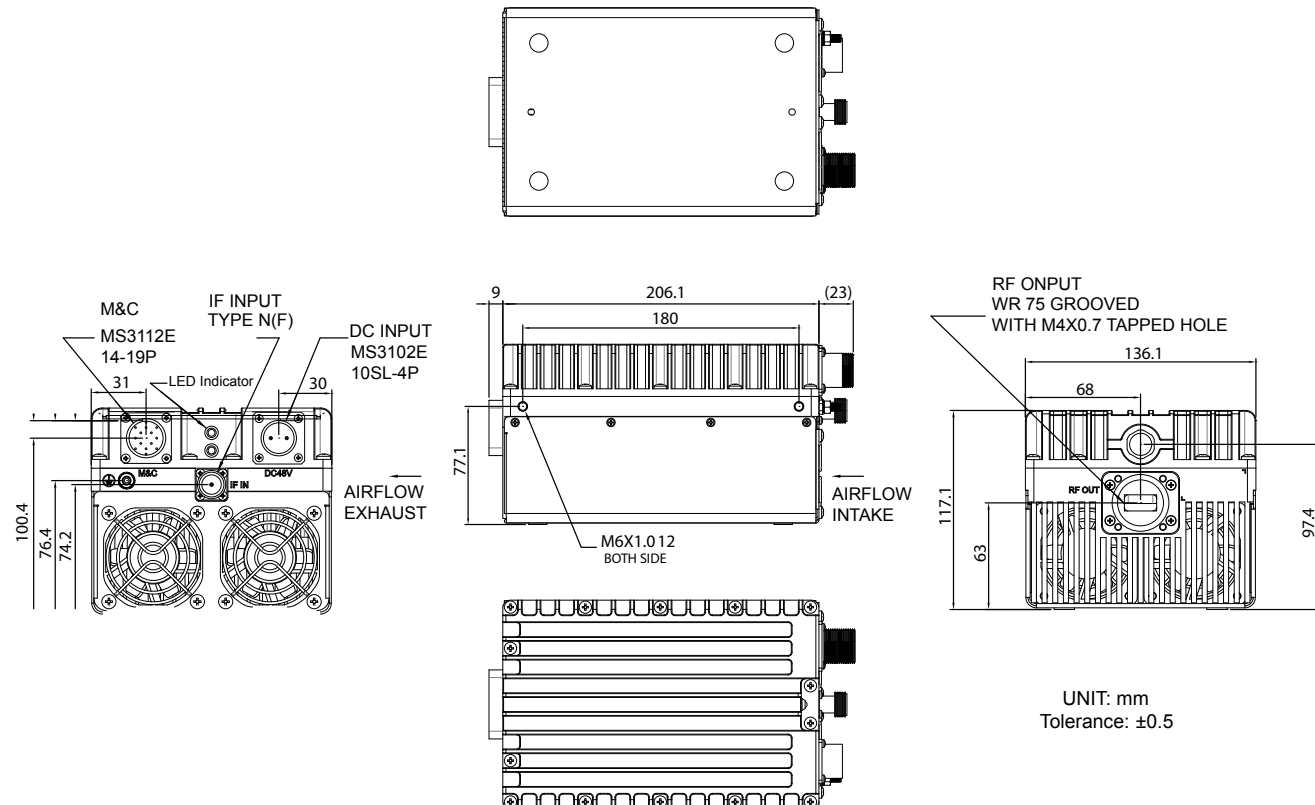
## POWER

Power requirements	+36 to +72V, 48 VDC nominal 48 VDC over IFL optional
Power Consumption	300W at rated power 270W at 3 dB back-off from rated

## MONITOR & CONTROL

M&C Interface	RS-232 / RS-485 / Ethernet
M&C Connector	PT02E-14-19P (MS3112)
LED Indicators	Red, Yellow

## MECHANICAL DIAGRAM



Request A Quote