



# BUC

## KU-BAND 40W

### ATOMBKU040



#### NORSAT ATOM SERIES BUCS

Compared to equivalent products, ATOM series BUCs are:

- Up to 68% smaller and lighter
- Up to 60% more power efficient
- More flexible with RF and configuration options

The Norsat ATOM series of block upconverters (BUC) are among the smallest, lightest, and most energy efficient transmitters available. The high efficiency of ATOM reduces power consumption significantly, delivering considerable operational cost savings over the lifetime of the device.

Another innovative communication solution from Norsat.

#### RF CONFIGURATIONS

##### Transmit Frequency

Standard band	14.0 to 14.5 GHz
LO Frequency	13.05 GHz
Extended band	13.75 to 14.5 GHz
LO Frequency	12.8 GHz
Selectable band *Custom within range	12.25 to 18.0 GHz

##### Input Frequency

Standard band	950 to 1450 MHz
Extended band	950 to 1700 MHz

#### OPTIONS

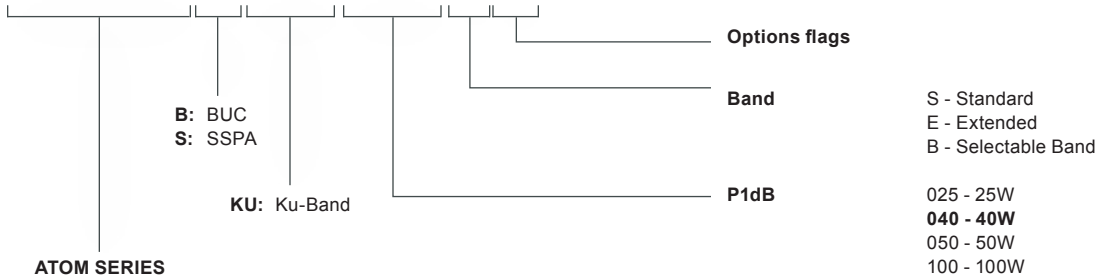
**The following items are standard:** White paint, N-Type input connector, WR-75 waveguide output, Fan cooling, DC Power.

**Available options include:** Baseplate cooling, Surge + Protect Filter, Fast switching, SMA Input Connector, WR62 Waveguide Output.

**Accessories:** Power Supply, Bracket, Waveguides, Cables, Adaptors.

#### HOW TO ORDER

## ATOMBKU040SX



# KU-BAND 40W BUC-ATOMBKU040

## RF SPECIFICATIONS

<b>Power Output (P1dB)</b>	40W
<b>Noise Figure</b>	15 dB
<b>Phase noise</b>	-72 dBc/Hz at 1 KHz -82 dBc/Hz at 10 KHz -92 dBc/Hz at 100 kHz -102 dBc/Hz at 1 MHz
<b>Fwd Monitor (15 dB Range) @ CF</b>	± 1.0 dB
<b>Conversion gain</b>	60 dB
<b>Gain Variation over operating band</b>	6 dB max p-p
<b>Gain variation over any 40 MHz</b>	2 dB max p-p
<b>Gain variation over temperature</b>	3 dB max p-p
<b>Input VSWR</b>	2.0:1
<b>Output VSWR</b>	2.0:1
<b>Spurious</b>	-55 dBc
<b>AM/PM Conversion @2dB below rated power</b>	2.5°/dB
<b>2nd Harmonic @ 3dB below rated power</b>	-45 dBc

## ENVIRONMENTAL & PHYSICAL

<b>Operating Temperature with fans</b>	-40 to +60°C (-40° to +140° F)
<b>Storage Temperature</b>	-54 to +80°C (-65° to + 176 F)
<b>Outline dimensions</b>	170 x 86 x 170 mm (6.7" x 3.4" x 6.7")
<b>Weight</b>	2.4 kg (5.4lbs)
<b>Enclosed accessories</b>	Screws, gasket, M&C mating connector, power mating connector

## INTERFACES

<b>RF Input connector</b>	N Type
<b>RF Output connector</b>	WR-75 (WR-62 above 15 GHz)

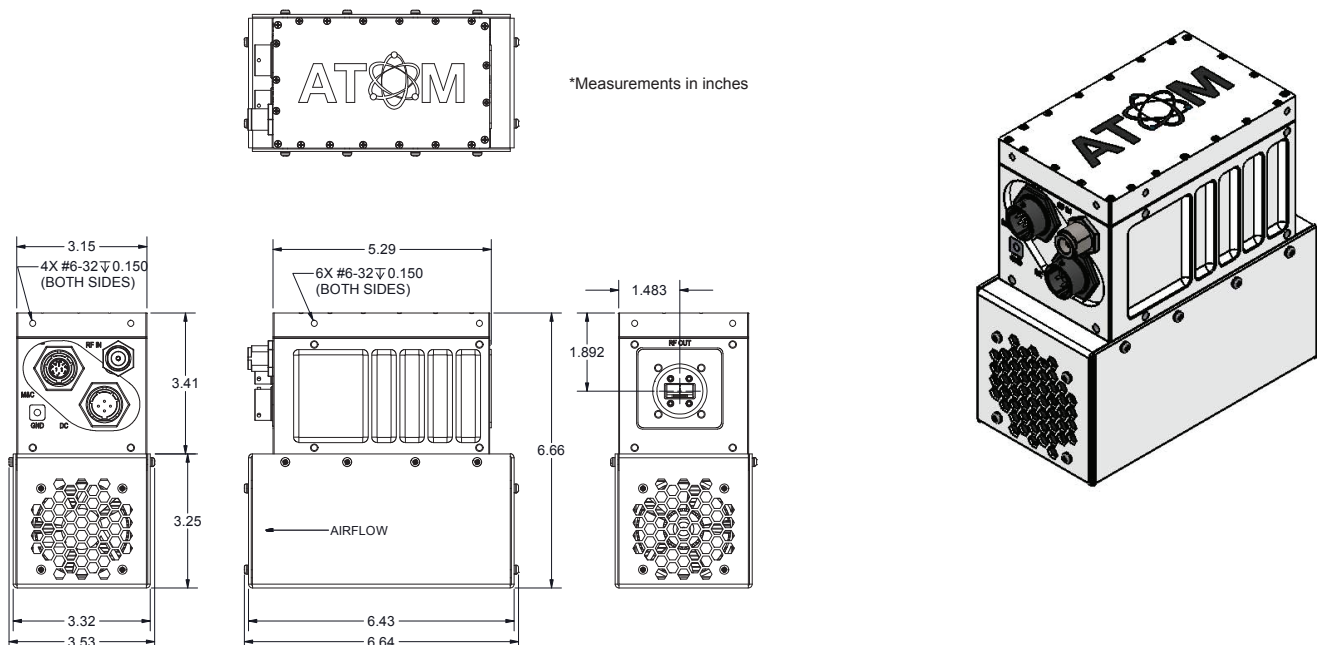
## MONITOR & CONTROL

<b>M&amp;C Interface</b>	RS-232 & RS-485
<b>M&amp;C Connector 12, 10 Pins</b>	MIL-26482 Series 1 Receptacle, Shell Size
<b>Mute Control</b>	Fully configurable (mute enable: high or low, mute default: enabled or disabled)
<b>Low</b>	0.0 - 0.8V
<b>High</b>	3.0 - 5.0V
<b>Thermal Shutdown Temperature</b>	90°C (Accuracy ± 3°C)

## POWER

<b>Input voltage</b>	20 - 56 VDC
<b>Power Consumption with fans</b>	305W @ Psat 270W @ P1dB 235W @ 3dB backoff from P1dB 210W @ Quiescent (no signal input) 25W muted
<b>Power Connector</b>	MIL-26482 Series 1 receptacle Shell size 12, 4 pins

## MECHANICAL DIAGRAM



Request A Quote