



LNB

C-BAND DIGITAL DRO 8000RI



TYPICAL SPECIFICATIONS

Noise temperature	35K
L.O. stability (over temperature excl offset)	±500 kHz depending on model number
Phase noise (SSB)	-65 dBc/Hz at 1kHz -80 dBc/Hz at 10kHz -95 dBc/Hz at 100kHz
Input VSWR	2.5 : 1
Output VSWR	2.5 : 1

Conversion gain	60 dB min.
Output P1dB	3 dBm
Power requirements	+15 to +24 V supplied through center conductor of IF cable
Current drain	200 mA
Input Waveguide	CPR 229G
Dimensions	180 (L) x 100 (W) x 70 (H) mm (7.1 x 4.0 x 2.8 in)
Weight	425 g / 15 oz
Temperature Range	-40°C to +60°C

FREQUENCY BANDS AVAILABLE

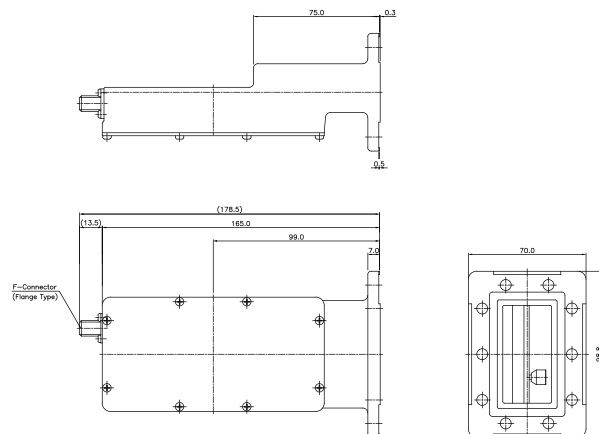
Typical service	8000
Input frequency (GHz)	3.625 to 4.8
L.O. frequency (GHz)	5.75
Output frequency (MHz)	950 to 2125

HOW TO ORDER

8000RIF



MECHANICAL DIAGRAM



[Request A Quote](#)