



# LNB

## C-BAND DIGITAL DRO 8000I



### TYPICAL SPECIFICATIONS

<b>Noise temperature</b>	20K to 30K depending on model number
<b>L.O. stability (over temperature excl offset)</b>	±250 kHz to ±500 kHz depending on model number
<b>Phase noise (SSB)</b>	-65 dBc/Hz at 1kHz -80 dBc/Hz at 10kHz -95 dBc/Hz at 100kHz
<b>Input VSWR</b>	2.0 : 1
<b>Output VSWR</b>	2.2 : 1

<b>Conversion gain</b>	64 dB
<b>Output P1dB</b>	8 dBm
<b>Power requirements</b>	+15 to +24 V supplied through center conductor of IF cable
<b>Current drain</b>	130 mA
<b>Input Waveguide</b>	CPR 229G
<b>Dimensions</b>	180 (L) x 100 (W) x 70 (H) mm (7.1 x 4.0 x 2.8 in)
<b>Weight</b>	425 g / 15 oz
<b>Temperature Range</b>	-40°C to +60°C

### FREQUENCY BANDS AVAILABLE

<b>Typical service</b>	8000I
<b>Input frequency (GHz)</b>	4.50 to 4.80
<b>L.O. frequency (GHz)</b>	5.95
<b>Output frequency (MHz)</b>	1150 to 1450

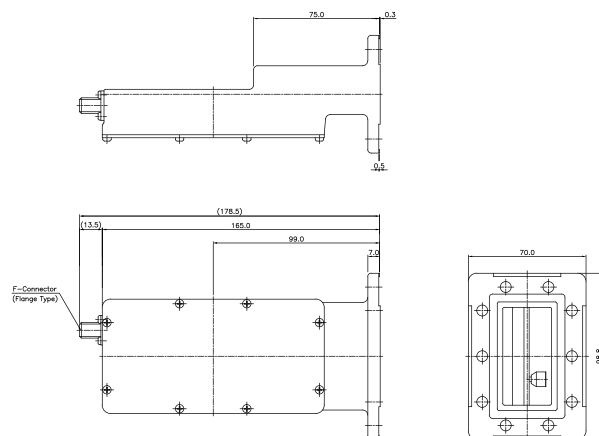
### HOW TO ORDER

## 8520IF

<b>CONNECTOR</b>	F - 75 Ohm N - 50 Ohm
<b>FREQUENCY</b>	4.5 - 4.8 GHz
<b>NOISE TEMPERATURE</b>	20 - 20K 25 - 25K 30 - 30K
<b>L.O. STABILITY</b>	5 - ±500 kHz
<b>LNB SERIES #</b>	

\*Available for 8000 (3.4 - 4.2 GHz Freq.) only

### MECHANICAL DIAGRAM



Request A Quote