



LNB

C-BAND PLL

3000I

HIGH STABILITY



TYPICAL SPECIFICATIONS

Noise temperature	20 K, 25 K
L.O. stability	±10 kHz, ±25 kHz
Phase noise (SSB)	-73 dBc/Hz at 1 kHz -83 dBc/Hz at 10 kHz -93 dBc/Hz at 100 kHz
Input VSWR	2.2 : 1
Output VSWR	2.2 : 1

Conversion gain	62 dB
Output P1dB	9 dBm
Power requirements	+12 to +24 V supplied through center conductor of IF cable
Current drain	330 mA
Input Waveguide	CPR 229G
Dimensions	180 (L) x 100 (W) x 70 (H) mm (7.1 x 4.0 x 2.8 in)
Weight	425 g / 15 oz
Temperature Range	-40°C to +60°C

FREQUENCY BANDS AVAILABLE

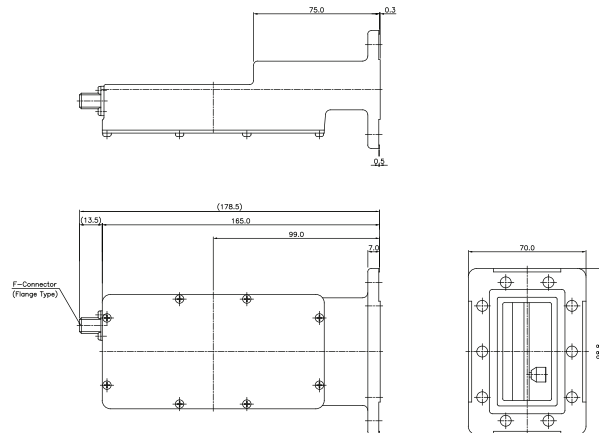
Input frequency (GHz)	4.5- 4.8 GHz
L.O. frequency (GHz)	5.95 GHz
Output frequency (MHz)	1150- 1450

HOW TO ORDER

3520IN

CONNECTOR	F - 75 Ohm N - 50 Ohm
INPUT FREQUENCY	4.5- 4.8 GHz
NOISE TEMPERATURE	20 - 25 K
L.O. STABILITY	5.0ppm ± 25 kHz 2.0ppm ± 10KHz
LNB SERIES #	

MECHANICAL DIAGRAM



Request A Quote