



# LNB

## C-BAND 5000I

## PLL



### FEATURES

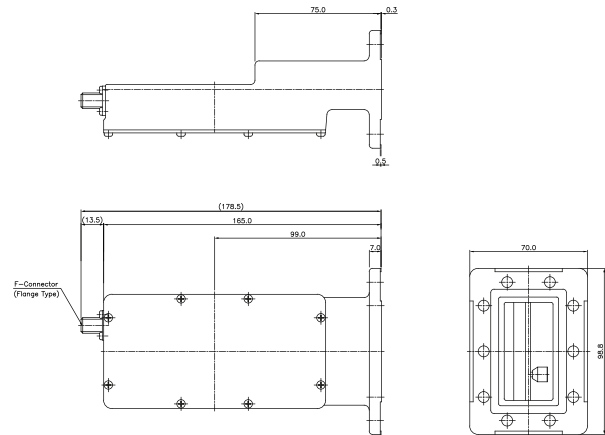
Ideal for DBV (Digital Broadcast Video), VSAT Broadband, Military Satcom, Point-of-Sale, and Oil and Gas applications

- LO Stability +/- 50 kHz to +/-100 kHz
- 15 K noise temperature
- 580 grams / 20.5 ounces

### FREQUENCY BANDS AVAILABLE

Input frequency (GHz)	4.5 - 4.8 GHz
L.O. frequency (GHz)	5.95 GHz
Output frequency (MHz)	1150 – 1450 MHz

### MECHANICAL DIAGRAM



### HOW TO ORDER

<b>5500IF</b>	<b>CONNECTOR</b>	F - 75 Ohm N - 50 Ohm
	<b>L.O. STABILITY</b>	5 - ±50 kHz 7 - ±75 kHz 1 - ±100 kHz
	<b>LNB SERIES #</b>	

### TYPICAL SPECIFICATIONS

<b>L.O. stability</b>	±50 kHz – ±100 kHz depending on model number
<b>Noise temperature</b>	15 K typ., 30 K max.
<b>Phase noise</b>	-65 dBc/Hz @ 1 kHz offset -80 dBc/Hz @ 10 kHz offset -95 dBc/Hz @ 100 kHz offset
<b>Input VSWR &amp; Output VSWR</b>	2.3:1
<b>Conversion gain</b>	62 dB typical 55 dB min 70 dB max
<b>Output P1dB</b>	10 dBm
<b>Power requirements</b>	12 - 24V DC supplied through center conductor of IF cable
<b>Current drain</b>	250 mA
<b>Input Waveguide</b>	CPR 229G
<b>Dimensions</b>	190 (L) x 115 (W) x 78 (H) mm (7.1 x 4.0 x 2.8 in)
<b>Weight</b>	580 g / 20.5 oz
<b>Temperature Range</b>	-40°C to +60°C

Request A Quote

