



LNB KA-BAND PLL 9000HD-3



TYPICAL SPECIFICATIONS

Noise figure	1.6 dB max
L.O. stability	±70 KHz
Phase noise (SSB) max	-70 dBc/Hz at 1kHz -80 dBc/Hz at 10kHz -100 dBc/Hz at 100 kHz
Input VSWR	2.2 : 1
Output VSWR	2.2 : 1

Conversion gain	58 dB (typ)
Output P1dB	5 dBm
Image rejection	40 dBc min
DC power	+12 to +24V
DC current	300 mA
Waveguide Flange	WR42
Output connector	N or F (Female)
Dimensions	137(L) x 70(W) x 59(H) mm
Weight	450 g
Operating Temperature	-30 to + 60°C
Gain flatness	± 2 dBp-p max

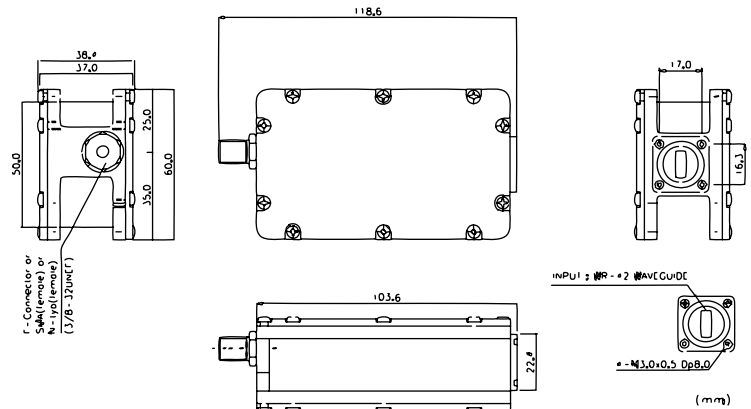
FREQUENCY BANDS AVAILABLE

Frequency band (GHz)	21.2 to 22.2
L.O. frequency (GHz)	20.25
IF frequency (MHz)	950 to 1950

HOW TO ORDER

9000HD-3F

CONNECTOR F - 75 Ohm
N - 50 Ohm



Request A Quote