



LNB KA-BAND ISO 9000XI



TYPICAL SPECIFICATIONS

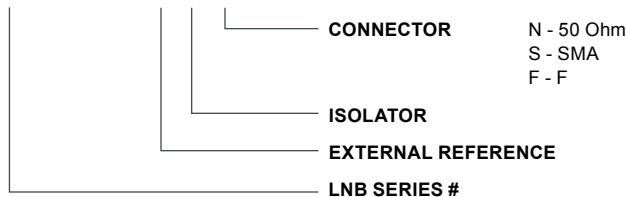
Noise figure	1.8 dB @ 23°C
L.O. stability	Phase locked to External Reference
External Ref 10MHz	-5 to 5 dBm
Phase noise (SSB) max	-62 dBc/Hz at 100Hz -72 dBc/Hz at 1kHz -82 dBc/Hz at 10kHz -92 dBc/Hz at 100kHz -102 dBc/Hz at 1MHz
Input VSWR	1.3 : 1
Output VSWR	1.8 : 1

Conversion gain	60 dB
Gain flatness over frequency	±2.0 dB
Gain flatness over temp	±4 dB
Output P1dB	+15 dBm
Power requirements	+15 to +24 V supplied through center conductor of IF cable
Waveguide Flange	WR42
Current drain	400 mA
Dimensions	153 (L) x 77 (W) x 51 (H) mm (6.1 x 3 x 2 in)
Weight	700 g (24.7 oz)
Temperature Range	-40°C to +60°C

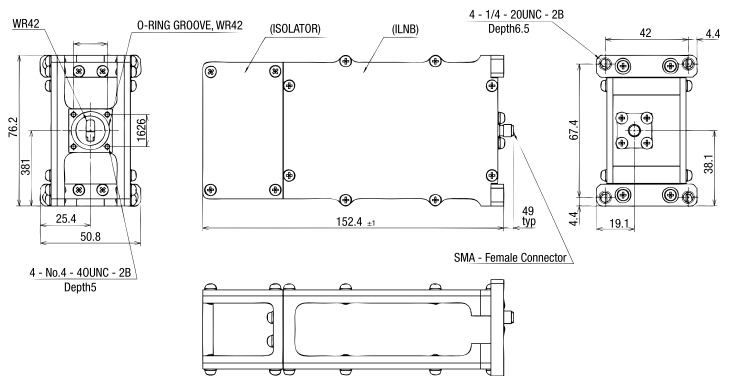
FREQUENCY BANDS AVAILABLE

Typical service	9000XI
Input frequency (GHz)	20.20 to 21.20
L.O. frequency (GHz)	19.20
Output frequency (MHz)	1000 to 2000

9000XIN



MECHANICAL DIAGRAM



Request A Quote