



LNB

KA DUAL-BAND

EXT. REF.

9000X-3



TYPICAL SPECIFICATIONS

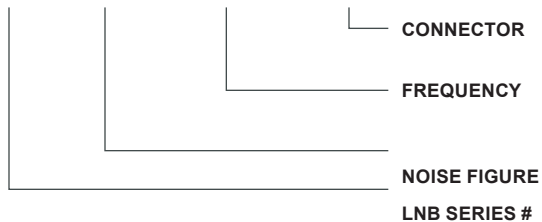
Noise figure	1.6 dB max	DC power	
L.O. stability	Phase locked to ext. ref.	Band 1	13 V
Phase noise (SSB) max	-60 dBc/Hz at 100Hz -70 dBc/Hz at 1kHz -80 dBc/Hz at 10kHz -100 dBc/Hz at 100 kHz -100 dBc/Hz at 1 MHz	Band 2	18 V
Input VSWR	2.2 : 1	DC current	350 mA
Output VSWR	2.0 : 1	Waveguide Flange	WR-42
Conversion gain	58 dB (min)	Output connector	N:50 Ω, F: 75 Ω
Gain flatness over 1000 MHz	2 dB p-p	Spurious	
Output P1dB	5 dBm	In band	-60 dBc
Image rejection	40 dBc min	Out band	-50 dBc
		Dimensions	128(L) x 70(W) x 38.4(H) mm
		Weight	500 g
		Operating Temperature	-40 to + 60°C

FREQUENCY BAND EXAMPLES - Custom Options Available

	AE	BE	B	C
Frequency band (GHz)	17.70 to 18.95	18.95 to 20.20	19.20 to 20.20	20.20 to 21.20
L.O. frequency (GHz)	16.75	18.00	18.25	19.25
IF frequency (MHz)	950 to 2200	950 to 2200	950 to 1950	950 to 1950

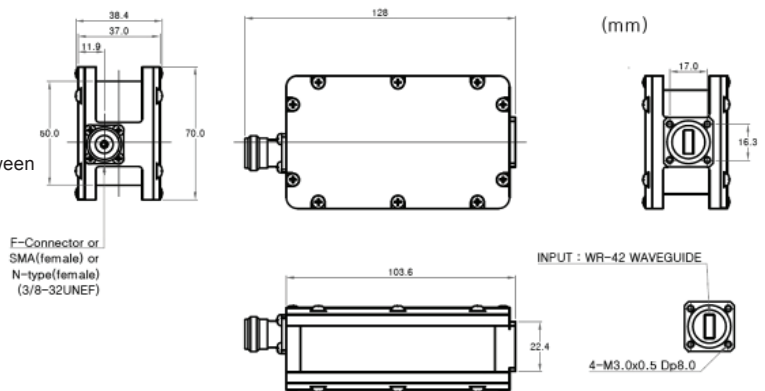
HOW TO ORDER

9016XBC-3F



F - 75 Ohm
N - 50 Ohm
Switching between
AE & BE
B&C
1.6 dB

MECHANICAL DIAGRAM



Request A Quote

