



# LNB

## KA-BAND EXT. REF

### 9000X-2



### TYPICAL SPECIFICATIONS

Noise figure	1.3 dB
L.O. stability	Phase Locked to External Reference
Phase noise (SSB)	-65 dBc/Hz at 100 Hz -75 dBc/Hz at 1 kHz -80 dBc/Hz at 10 kHz -100 dBc/Hz at 100 kHz
Input VSWR	2.0 : 1
Output VSWR	2.0 : 1
Gain flatness over 1000 MHz	4.0 dB p-p
Gain variation over temperature @ fixed frequency (-40 to +60°C)	5 dB max

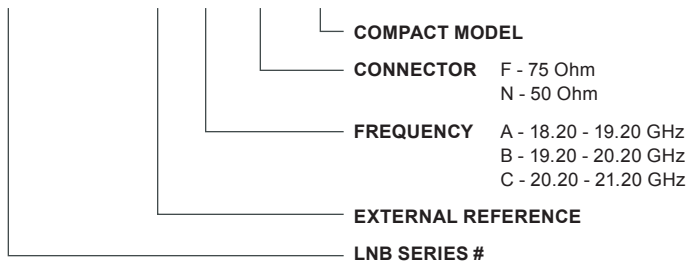
Conversion gain	55 dB
Output P1dB	3 dBm
Power requirements	+15 to +24 V supplied through center conductor of IF cable
Current drain	160 mA
Input Waveguide	WR42
Dimensions	111 (L) x 42 (W) x 42 (H) mm
Weight	350 g
Ext Ref Frequency	10 MHz (sine-wave), -10 to 0 dBm
Temperature Range	-40°C to +60°C

### FREQUENCY BANDS AVAILABLE

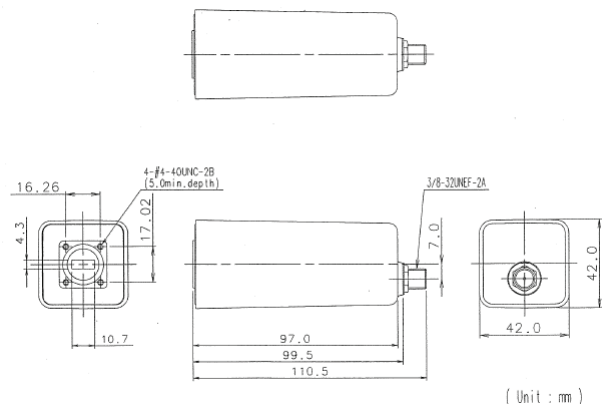
Typical service	9000XA-2	9000XB-2	9000XC-2
Input frequency (GHz)	18.20 to 19.20	19.20 to 20.20	20.20 to 21.20
L.O. frequency (GHz)	17.25	18.25	19.25
Output frequency (MHz)	950 to 1950	950 to 1950	950 to 1950

### HOW TO ORDER

## 9000XAN-2



### MECHANICAL DIAGRAM



[Request A Quote](#)