



# LNB

## KA-BAND TRIPLE-BAND

### EXT. REF.

## 9000XT-4



### TYPICAL SPECIFICATIONS

<b>Noise Figure</b>	1.6 dB max. (ABC); 1.8dB max. (BCD) @ +25 °C	<b>External Reference Input</b>	10 MHz -5 to +5 dBm
<b>L.O. Stability</b>	Phase locked to Ext. Ref.	<b>DC Current</b>	400 mA (max)
<b>Phase Noise</b>	-70 dBc/Hz at 1 kHz -80 dBc/Hz at 10 kHz -90 dBc/Hz at 100 kHz	<b>Waveguide Flange</b>	WR-42
<b>Input VSWR</b>	2.5 : 1 (max)	<b>Output Connector</b>	F: 75 Ω or N:50 Ω
<b>Output VSWR</b>	2.5 : 1 (max)	<b>Spurious</b>	
<b>Conversion Gain</b>	55 dB (min)	In Band	-60 dBc @ -10dBm
<b>Gain Flatness over 1000 MHz</b>	5 dB p-p (max)	Out Band	-50 dBc @ -10dBm
<b>Output P1dB</b>	5 dBm (min)	<b>Dimensions</b>	114 (L) x 70 (W) x 39 (H) mm (4.5 x 2.75 x 1.5 in)
<b>Image Rejection</b>	<b>9000XTABC-4</b> 40 dBc min for Band A 30 dBc for Band B 0 dBc for Band C  <b>9000XTBCD-4</b> 40 dBc min for Band B 30 dBc for Banc C 0 dBc for band D	<b>Weight</b>	500g / 17.7 oz
		<b>Operating Temperature</b>	-40 ~ +60°C
		<b>Storage Temperature</b>	-40 ~ +80°C
		<b>Relative Humidity</b>	0 ~ 95% RH

### FREQUENCY BANDS AVAILABLE

Model Number	Frequency Band	Frequency Range (GHz)	L.O. Switching (GHz)
9000XTABC-4	A	18.20 to 19.20	17.25 @ 13 VDC & 22KHz off
	B	19.20 to 20.20	18.25 @ 18 VDC & 22KHz off
	C	20.20 to 21.20	19.25 @ 13 VDC & 22KHz on
9000XTBCD-4	B	19.20 to 20.20	18.25 @ 13 VDC & 22KHz off
	C	20.20 to 21.20	19.25 @ 18 VDC & 22KHz off
	D	21.20 to 22.20	20.25 @ 13 VDC & 22KHz on



## HOW TO ORDER

# 9000XTABCN-4

CONNECTOR

F - 75 Ohm  
N - 50 Ohm

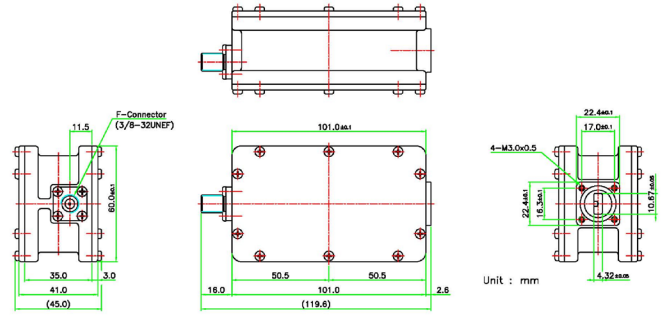
FREQUENCY

ABC or BCD

EXTERNAL REF.

LNB SERIES #

## MECHANICAL DIAGRAM



Request A Quote