



LNB KA TRIPLE-BAND EXT. REF. 9000XT-3



TYPICAL SPECIFICATIONS

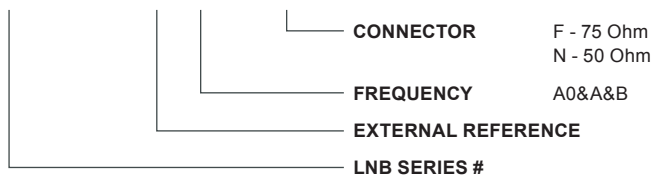
Noise figure	2.0 dB max	DC power	
L.O. stability	Phase locked to ext. ref.	A0-band	13 V
Phase noise (SSB) max	-70 dBc/Hz at 1kHz -80 dBc/Hz at 10kHz -90 dBc/Hz at 100 kHz	A-band	18 V
Input VSWR	2.5 : 1	B-band	13 V + 22 KHz tone
Output VSWR	2.2 : 1	DC current	350 mA (11 - 24V)
Conversion gain	58 dB (min)	Waveguide Flange	WR-42
Gain flatness over 1000 MHz	4 dB p-p	Output connector	N:50 Ω, F: 75 Ω
Output P1dB	5 dBm	Spurious	
Image rejection	40 dBc min for band A0 30 dBc for band A 0 dBc for band B	In band	-60 dBc @ -10dBm
		Out band	-50 dBc @ -10dBm
		Dimensions	114(L) x 70(W) x 39(H) mm
		Weight	500 g
		Operating Temperature	-40 to + 60°C

FREQUENCY BANDS AVAILABLE

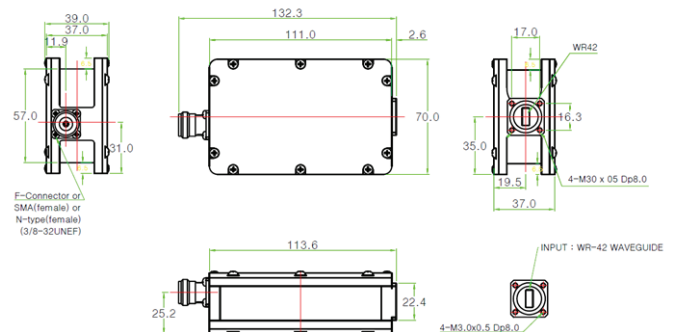
	A0	A	B
Frequency band (GHz)	17.30 to 18.30	18.30 to 19.30	19.30 to 20.20
L.O. frequency (GHz)	16.35	17.35	18.35
IF frequency (MHz)	950 to 1950	950 to 1950	950 to 1950

HOW TO ORDER

9000XT-3F



MECHANICAL DIAGRAM



Request A Quote