



# LNB

## KA TRIPLE-BAND PLL

### 9000HT-3



### TYPICAL SPECIFICATIONS

Noise figure	1.5 dB max
L.O. stability	±25 KHz
Phase noise (SSB) max	-70 dBc/Hz at 1kHz -80 dBc/Hz at 10kHz -90 dBc/Hz at 100 kHz
Input VSWR	2.0 : 1
Output VSWR	2.0 : 1
Conversion gain	58 dB (min)
Gain flatness over 1000 MHz	4 dB p-p
Output P1dB	5 dBm
Image rejection	40 dBc min

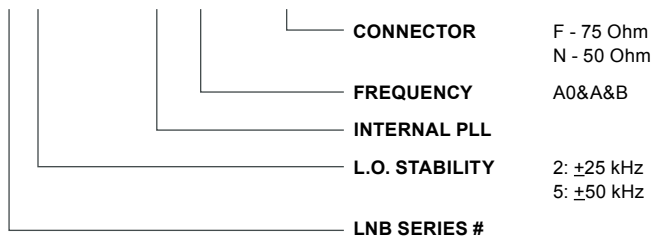
<b>DC power</b>	
A0-band	13 V
A-band	18 V
B-band	13 V + 22 KHz tone
<b>DC current</b>	350 mA (11 - 24V)
<b>Waveguide Flange</b>	WR-42
<b>Output connector</b>	N:50 Ω, F: 75 Ω
<b>Spurious</b>	
In band	-60 dBc
Out band	-50 dBc
<b>Dimensions</b>	133(L) x 70(W) x 39(H) mm
<b>Weight</b>	500 g
<b>Operating Temperature</b>	-40 to + 60°C

### FREQUENCY BANDS AVAILABLE

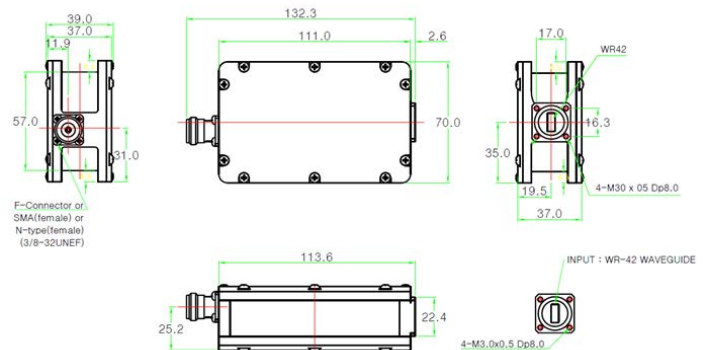
	A0	A	B
Frequency band (GHz)	17.30 to 18.30	18.30 to 19.30	19.30 to 20.20
L.O. frequency (GHz)	16.35	17.35	18.35
IF frequency (MHz)	950 to 1950	950 to 1950	950 to 1850

### HOW TO ORDER

## 9200HT-3F



### MECHANICAL DIAGRAM



Request A Quote