



LNB

KA DUAL-BAND PLL

9000H-3



TYPICAL SPECIFICATIONS

Noise figure	1.6 dB max
L.O. stability	±25 KHz, ±50 KHz
Phase noise (SSB) max	-60 dBc/Hz at 100Hz -70 dBc/Hz at 1kHz -80 dBc/Hz at 10kHz -100 dBc/Hz at 100 kHz -100 dBc/Hz at 1 MHz
Input VSWR	2.2 : 1
Output VSWR	2.0 : 1
Conversion gain	58 dB (min)
Gain flatness over 1000 MHz	2 dB p-p
Output P1dB	5 dBm
Image rejection	40 dBc min

DC power	Band 1 13 V Band 2 18 V
DC current	350 mA
Waveguide Flange	WR-42
Output connector	N:50 Ω, F: 75 Ω
Spurious	In band -60 dBc Out band -50 dBc
Dimensions	132.3(L) x 70(W) x 39(H) mm
Weight	500 g
Operating Temperature	-40 to + 60°C

FREQUENCY BANDS AVAILABLE

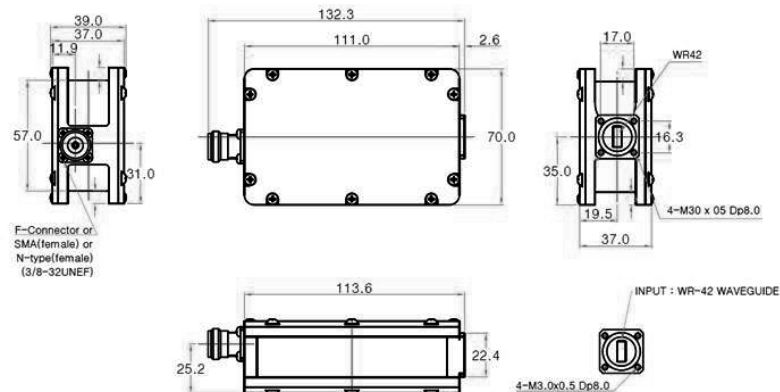
	AE	BE	B	C
Frequency band (GHz)	17.70 to 18.95	18.95 to 20.20	19.20 to 20.20	20.20 to 21.20
L.O. frequency (GHz)	16.75	18.0 0	18.25	19.25
IF frequency (MHz)	950 to 2200	950 to 2200	950 to 1950	950 to 1950

HOW TO ORDER

9200HBC-3F

CONNECTOR	F - 75 Ohm N - 50 Ohm
FREQUENCY	AEB - AE & BE BC - B&C
L.O. STABILITY	2: ±25 kHz 5: ±50 kHz
LNB SERIES #	

MECHANICAL DIAGRAM



Request A Quote

