



LNB

KA-BAND DRO

9000



TYPICAL SPECIFICATIONS

Noise figure	1.3 dB
L.O. stability (over temperature excl offset)	±1 MHz
Phase noise (SSB)	-50 dBc/Hz at 1kHz -65 dBc/Hz at 10kHz -90 dBc/Hz at 100kHz
Input VSWR	2.5 : 1
Output VSWR	2.3 : 1

Conversion gain	55 dB
Output P1dB	5 dBm
Power requirements	+15 to +24 V supplied through center conductor of IF cable
Current drain	175 mA
Input Waveguide	WR42
Dimensions	111 (L) x 42 (W) x 42 (H) mm
Weight	350 g / 12.5 oz
Temperature Range	-40°C to + 60°C

FREQUENCY BANDS AVAILABLE

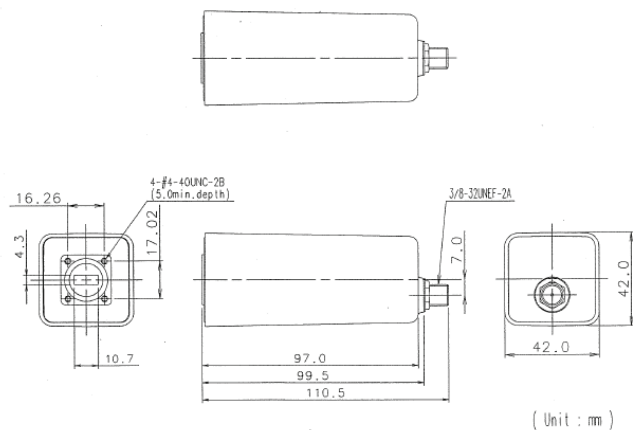
Typical service	9000C
Input frequency (GHz)	20.2 - 21.2
L.O. frequency (GHz)	19.25
Output frequency (MHz)	950 to 1950

HOW TO ORDER

9000CN

CONNECTOR	F - 75 Ohm N - 50 Ohm
FREQUENCY	C: 20.2 - 21.2 GHz
LNB SERIES #	

MECHANICAL DIAGRAM



[Request A Quote](#)