



LNB

SIMULTANEOUS-BANDS

PLL 1000DH



TYPICAL SPECIFICATIONS

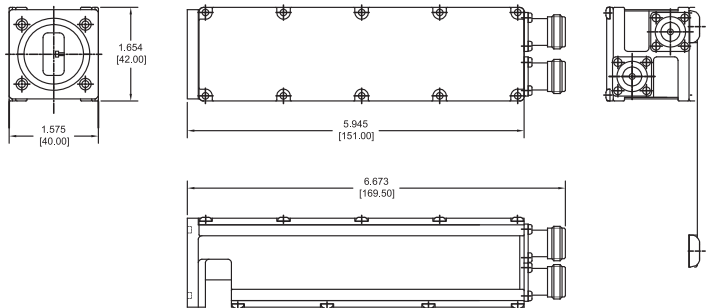
Noise Figure	0.8 dBm
LO Stability	± 10 kHz to ± 25 kHz
LO Phase Noise	-75 dBc at 1 kHz -85 dBc at 10 kHz -95 dBc at 100 kHz
Gain	55 dB
P1dB	+6 dBm
DC Power	18 V

Current	300 mA
Input Waveguide	WR-75
Output	F-connector (75 ohm) N (Optional) (50 ohm)
Dimensions	150 x 42 x 40 (L x W x H)
Weight	300 g
Operating Temperature	-40 ~ +60°C

FREQUENCY BANDS AVAILABLE

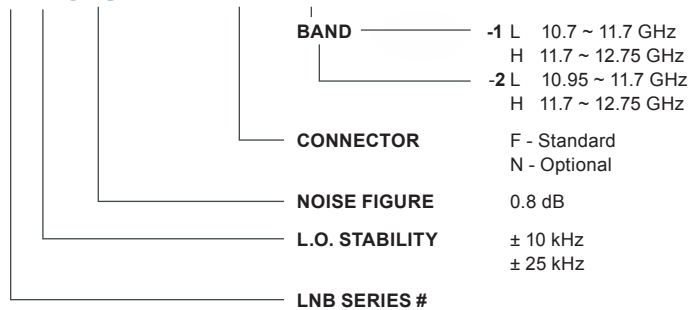
	Band 1	Band 2
Frequency Band (RF Input)	L 10.7 ~ 11.7 GHz H 11.7 ~ 12.75 GHz	10.95 ~ 11.7 GHz 11.7 ~ 12.75 GHz
LO Frequency	L 9.75 GHz H 10.75 GHz	10.00 GHz 10.75 GHz
IF Frequency	950 ~ 1950 MHz 950 ~ 2000 MHz	950 ~ 1700 MHz 950 ~ 2000 MHz

MECHANICAL DIAGRAM

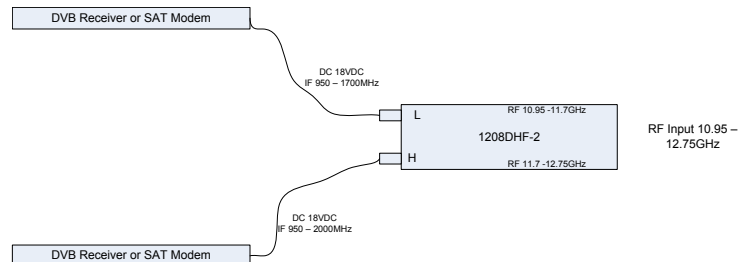


HOW TO ORDER

1108DHF-1



HOW TO INSTALL



Request A Quote