



# LNB KU-BAND PLL 1000HE



## TYPICAL SPECIFICATIONS

Noise figure	0.8 dB
L.O. stability (over temperature excl offset)	±25 kHz ±10 kHz
Phase noise (SSB)	-70 dBc/Hz at 1kHz -80 dBc/Hz at 10kHz -90 dBc/Hz at 100kHz
Input VSWR	2.5 : 1
Output VSWR	2.2 : 1

Image rejection	40 dBc min
Conversion gain	55 dB typ.
Gain flatness	4 dBp-p max.
P1dB	+5 dBm typ.
Output impedance	75 ohms
Power supply	+12 to +24V DC
Required current	300 mA max.
Input Interface	WR75
Output connector	F (female)
Current drain	300mA
Dimensions	130 (L)x 60 (W)x 42 (H)mm
Weight	300g/ 10.6 oz

## FREQUENCY BANDS AVAILABLE

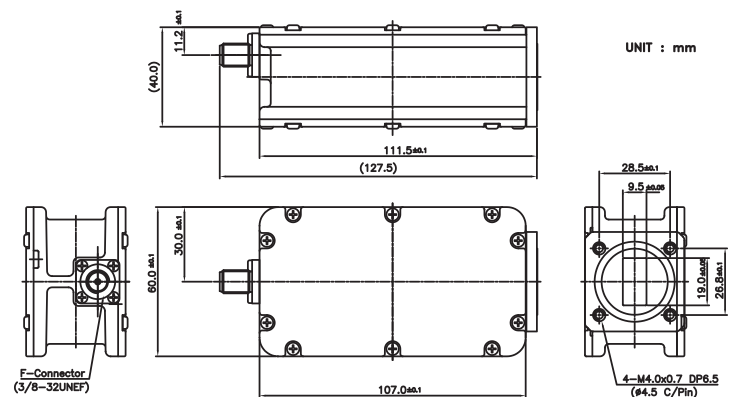
Typical service	1000HE
Input frequency (GHz)	10.95 - 12.75
L.O. frequency (GHz)	10
Output frequency (MHz)	950 to 2750

## HOW TO ORDER

### 1208HEF

CONNECTOR	F - 75 Ohm N - 50 Ohm
FREQUENCY	10.95 - 12.75 GHz
NOISE FIGURE	08 - 0.8 dB
L.O. STABILITY	2 - ±25 kHz 1 - ±10 kHz
LNB SERIES #	

## MECHANICAL DIAGRAM



Request A Quote