



LNA C-BAND 8000 SERIES



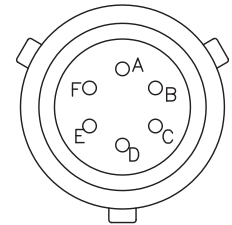
TYPICAL SPECIFICATIONS

Frequency Available	3.4 to 4.2 GHz
Noise Temperature	30 k @ 23°C
Input VSWR	2.0 : 1
Output VSWR	2.0 : 1
Output P1dB	+5 dBm
Dimensions	180 (L) x 100 (W) x 70 (H) mm
Weight	425 g
Input Waveguide	CPR-229G
DC Power	MS3112E10-6P or SMA, or N

Gain	50 dB
Gain flatness	4 dB p - p max
Voltage requirements	+15 to +24 VDC
Current drain	100 mA
Temperature range	-40°C to +60°C

PIN-OUT

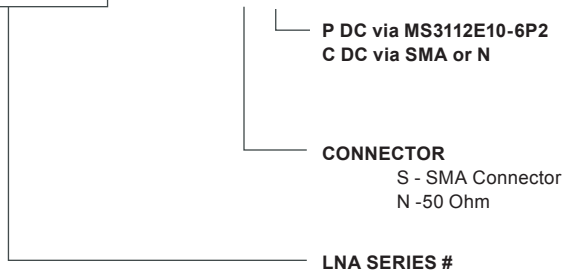
Connector	Signal Name
A	Supply Voltage
B	GND
C	GND
D	NC
E	NC
F	NC



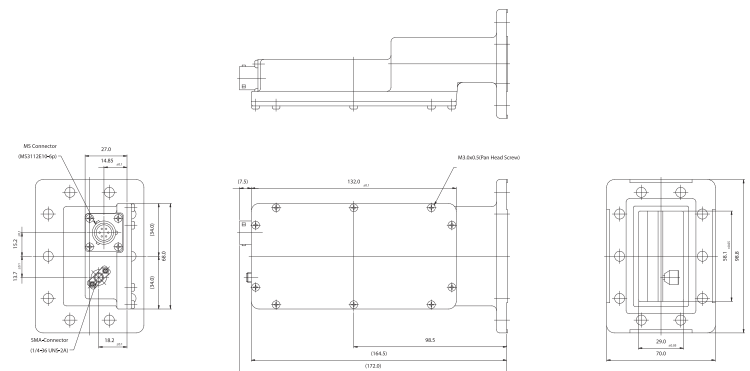
Note: Mating connector is supplied.

HOW TO ORDER

LNA-8000SP



MECHANICAL DIAGRAM



Request A Quote