

■ Ku-band DRO LNB - L.O. Stability: ± 500 kHz -

MODEL No. **NJR2144HT/54HA/84HA**

< Features >

- * **Low Noise Figure**
 - Noise Figure: 0.8 dB
- * **Low DC Current Drain**
 - DC Current Drain: 110 mA
- * **Small Size & Light Weight**
 - Weight: 150 g
- * **RoHS Compliance**



< Line-Up >

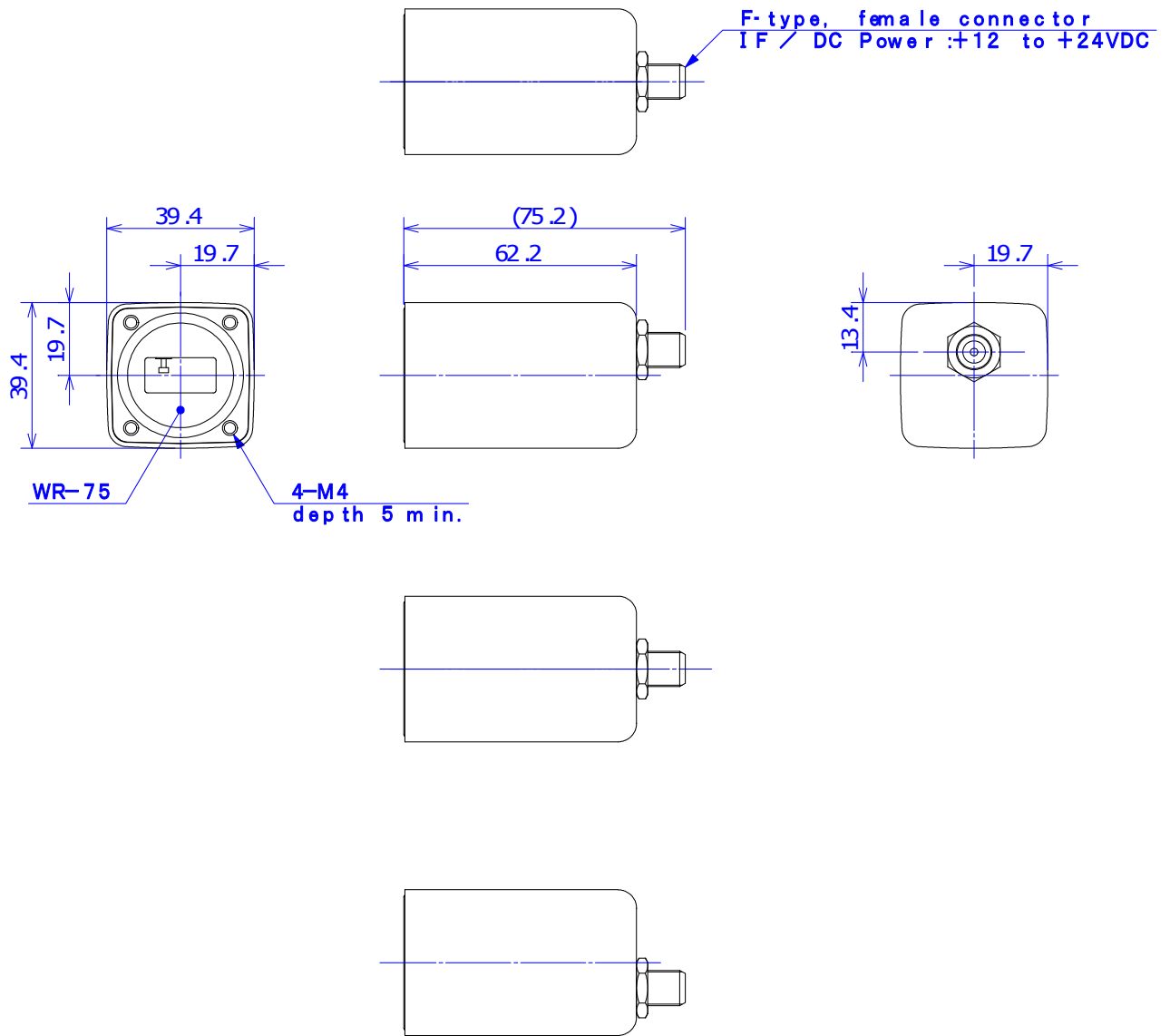
Model No.	RF Frequency	Local Frequency	IF Connector	Local Stability	IF Connector	Power Supply
NJR2184HA	10.95 to 11.70GHz	10.00 GHz	950 to 1,700 MHz	+/- 500 kHz	F-type	+24 VDC (+12 to +24 VDC)
NJR2144HT	11.70 to 12.20 GHz	10.75 GHz	950 to 1,450 MHz			
NJR2154HA	12.25 to 12.75 GHz	11.30 GHz				

< Specifications >

Item	Specifications
Input Interface	Waveguide, WR75 (with Groove)
Output Interface	F-type, female (75 ohm)
Noise Figure (Ta.: +25 C)	0.8 dB typ., 1.3 dB max. [Model No.: NJR2144HT/54HA] 0.8 dB typ., 1.0 dB max. [Model No.: NJR2184HA]
Linear Gain (Ta.: +25 C)	55 dB typ., 52 dB min. [Model No.: NJR2144HT/54HA] 54 dB typ., 48 dB min. [Model No.: NJR2184HA]
Local Stability	+/-500 kHz (Ta.: -40 to +60 C)
L.O. Phase Noise	-60 dBc/Hz typ. @ 1 kHz -85 dBc/Hz typ. @ 10 kHz -105 dBc/Hz typ. @ 100 kHz
L.O. Leakage Level	-25 dBm max. at the IF Output Connector -50 dBm max. at the RF Input Flange
Input V.S.W.R.	2.5 : 1 typ.
Output V.S.W.R.	2.0 : 1 typ.
Power Requirement	+24 VDC (+12 to +24 VDC)
Current Drain	110 mA typ., 170 mA max.
Temperature Range (ambient)	-40 to +60 C (operating), -40 to +80 C (storage)
Dimension & Housing (without Interface Connectors)	62.2 mm (L) x 40 mm (W) x 40 mm (H) [2.45" (L) x 1.57" (W) x 1.57" (H)]
Weight	150 g [0.33 lbs]

■ Ku-band DRO LNB - L.O. Stability: ± 500 kHz -
MODEL No. NJR2144HT/54HA/84HA

< Outline Drawing >



Unit: mm