

Universal/Standard Ku-band **GaN** 40W BUC

MODEL No. **NJT8371** series

< Features >

- * **GaN Technology Amplifier Inside**
- * **RF Frequency Line-up**
 - Universal Ku-band: 13.75 to 14.5 GHz
 - Standard Ku-band: 14.0 to 14.5 GHz
- * **High Efficiency Output Power**
 - Saturation Output Power: +46.0 dBm
 - ACPR: -30 dBc @ Pout = +44.0 dBm
 - Power Consumption: 260 W
- * **AC Power Operation Option**
- * **Monitor & Control Option**
 - FSK Communications M&C
 - RS-232C Interface Serial M&C
- * **Compact Size & Light Weight**
 - Dimension: 230 (L) x 150 (W) x 100 (H) mm
 - Weight: 4.2 kg



< Line-Up >

| Model No. | RF Frequency | Local Frequency | IF Frequency | Output Power | IF Connector | Power Supply | Port for Voltage Input | M&C Option | |
|--------------|--|-----------------|---------------------|----------------------------|--------------|--------------|--------------------------|------------|----------------|
| NJT8371NMK | 14.0 to 14.5 GHz (Standard Ku-band) | 13.05 GHz | 950 to 1,450 MHz | 40W Saturation (+46dBm) | N-type | +36 to +60 V | MS Connector | FSK M&C | |
| NJT8371FMK | | | | | F-type | DC Power | | | |
| NJT8371NMKA | | | | | N-type | AC Power | MS Connector * Note 1 | | |
| NJT8371FMKA | | | | | F-type | | | | |
| NJT8371NMR | | | | | N-type | +36 to +60 V | MS Connector | | RS-232C M&C |
| NJT8371FMR | | | | | F-type | DC Power | | | |
| NJT8371NMRA | | | | | N-type | AC Power | MS Connector * Note 1 | | |
| NJT8371FMRA | | | | | F-type | | | | |
| NJT8371UNMK | 13.75 to 14.5 GHz (Universal Ku-band) | 12.80 GHz | 950 to 1,700 MHz | 40W Saturation (+46dBm) | N-type | +36 to +60 V | MS Connector | FSK M&C | |
| NJT8371UFMK | | | | | F-type | DC Power | | | |
| NJT8371UNMKA | | | | | N-type | AC Power | MS Connector * Note 1 | | |
| NJT8371UFMKA | | | | | F-type | | | | |
| NJT8371UNMR | | | | | N-type | +36 to +60 V | MS Connector | | RS-232C M&C |
| NJT8371UFMR | | | | | F-type | DC Power | | | |
| NJT8371UNMRA | | | | | N-type | AC Power | MS Connector * Note 1 | | |
| NJT8371UFMRA | | | | | F-type | | | | |

* Note1) Additional outdoor 500W AC/DC PSU is enclosed for AC Power Option and DC Power is supplied at MS connector of BUC from AC/DC PSU via power cable.

Request A Quote

Universal/Standard Ku-band **GaN** 40W BUC

MODEL No. **NJT8371** series

< Specifications >

| Item | Specifications |
|--|--|
| Saturation Output Power | +46 dBm min. @ +25 °C +45 dBm min. over temperature |
| Linear Gain | 74 dB nom., 68 dB min. |
| Gain Variation over frequency | Standard Ku-band: 5 dBp-p max. over 500 MHz / 2 dBp-p max. over 36 MHz Universal Ku-band: 5 dBp-p max. over 750 MHz / 2 dBp-p max. over 36 MHz |
| Gain Stability over temperature | 2 dBp-p typ., 4 dBp-p max. |
| ACPR | -30 dBc typ., -26 dBc max.. @ Pout = +44 dBm |
| L.O. Phase Noise | -60 dBc/Hz max. @ 100 Hz -70 dBc/Hz max. @ 1 kHz -80 dBc/Hz max. @ 10 kHz -90 dBc/Hz max. @ 100 kHz -100 dBc/Hz max. @ 1 MHz |
| Input V.S.W.R. | 2 : 1 max. |
| Output V.S.W.R. | 1.5 : 1 max. |
| DC Power Requirement (1) Voltage Range (2) Power Consumption | +36 to +60 VDC 120 W typ. @ No IF signal 220 W typ. @ Pout=+44dBm 260 W typ., 290 W max. @ Psat |
| Mute | Shut off the HPA in case of L.O. unlocked or no 10 MHz reference signal |
| LED Indicator | GREEN: L.O. locked / RED: L.O. unlocked (or no 10 MHz reference signal) |
| M&C | < FSK Communication M&C > Interface: FSK Modulation Signal via IF connector Function: Power Monitor / TX On/Off Control / Alarm ... etc < RS-232C Serial M&C > Interface: RS-232C Function: Power Monitor / TX On/Off Control / Alarm / Digital Step Attenuator ... etc |
| Temperature Range (ambient) | Operating: -40 to +60 °C Storage: -40 to +75 °C |
| Dimension & Housing | 230(L) x 150(W) x 100(H) mm [9.07" (L) x 5.91" (W) x 3.15" (H)] without interface connector and screws |
| Weight | 4.2 kg [9.1 lbs] |

*Note: The contents of this sheet are subject to change without notice.

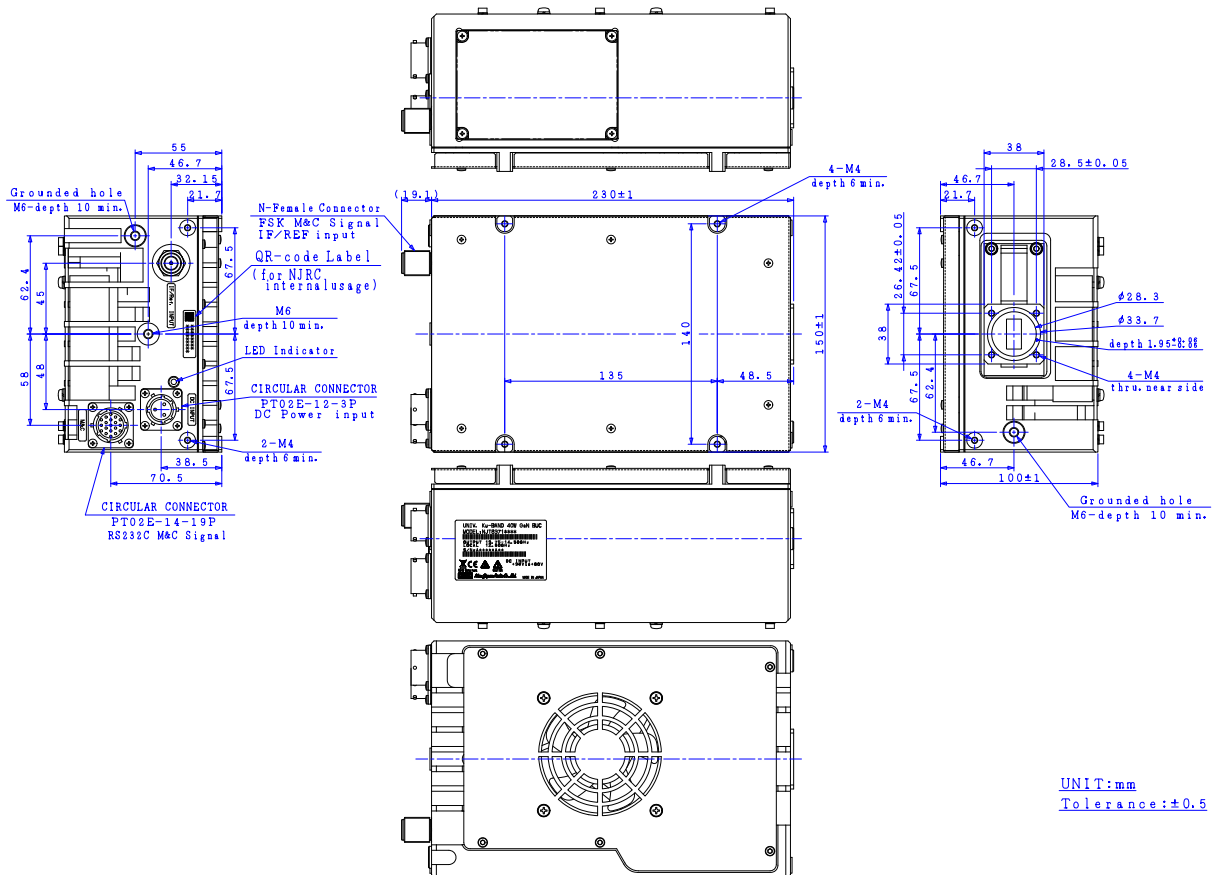
(2/3)
Rev.01(July 2016) Ku GaN 40W BUC_NJT8371

Universal/Standard Ku-band **GaN** 40W BUC

MODEL No. **NJT8371** series

< Outline Drawing >

N-type, female Connector Model



*Note: The contents of this sheet are subject to change without notice.