



International (Extended) C-Band Interference Elimination Filter Model 13961WE-I

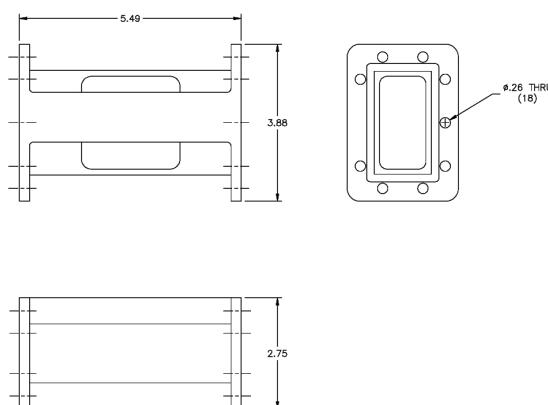
Providing the same deep rejection of undesired out-of-band signals as the model 13961W-I, this filter utilizes a special plating process for enhanced C-band reception.

- Ideal for Weak or Fringe Signal Receive Sites
- Alternate Passbands Available (e.g.: 3.625 - 4.2 GHz)
- Hardware & Gasketing included
- Ready to install between LNB & feedhorn



Specifications:

| | |
|------------------------|---|
| Passband: | 3.6 - 4.2 GHz |
| Passband Loss: | 0.4 dB Typ @ center band; 0.3 dB Typ roll-off @ band edges |
| Passband VSWR: | 1.5:1 Typ |
| Group Delay Variation: | 8 nS Max |
| Rejection: | 45 dB Typ @ 3.55 GHz / 4.25 GHz 55 dB Typ @ 3.45 GHz / 4.35 GHz 70 dB Typ @ 3.40 GHz / 4.40 GHz |
| Flanges: | CPR229G (Input), CPR229F (Output) |
| Length: | 5.49" (13.9 cm) |
| Weight: | 1.3 lbs. (0.6 Kg) |



[Request A Quote](#)