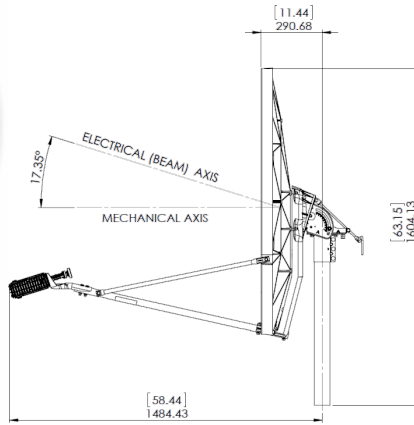


Type 127: 1.2m Rx/Tx Standard Ka-Band Antenna



- ISO 9001:2008 CERTIFICATE OF REGISTRATION
- One-piece precision composite Reflector
- Precision Az/EI Mount
- Fine Azimuth and Elevation Adjustment Features
- All Materials Comply with EU Directive No. 2002/95/EC (RoHS)



- 720 Hour Salt Spray Hardware
- Designed for Skyware Global Ka Band Feed Components
- Designed for Tier I OEM Transceiver

New **Skyware Global 1.2m Rx/Tx Standard Ka-Band Antenna** is a rugged, commercial quality product suitable for the most demanding applications.

- The reflector is constructed from glass fiber reinforced polyester for strength and accuracy. A proprietary process developed by Skyware Global ensures high RF reflectivity as needed for Ka Band operation
- The precision Az/EI mount is made of galvanized steel for excellent corrosion resistance. This mount includes special features to increase pointing accuracy with low backlash and lockdown error.
- This Az/EI allows the antenna to be installed on standard 73mm [2-7/8"] OD installation mounts.
- All hardware is plated to 720 hour salt spray standards tested in accordance with ASTM B-117.
- Designed for use with the Skyware Global line of Ka-band feed assemblies.
- Tx Cross-Polarization Isolation of 25dB (within 1dB b/w) or better for CP Application.
- Excellent Tx Port to Port Isolation of 90dB or better.
- Meets or exceeds regulatory agency requirements.
- System designed for typical Ka-band RF Electronics.



• PRODUCT SPECIFICATIONS

RF Performance

Operating Frequency
RX19.2-20.2 GHz
TX29.5-30.0 GHz

Polarization
RXCircular, LH or RH
TXCircular, LH or RH

Gain (+/0.3db)
RX46.3 dBi @ 20.2 GHz
TX49.5 dBi @ 30.0 GHz

VSWR1.3:1 Max

3dB Beamwidth
RX0.83° @ 20.2 GHz
TX0.56° @ 30.0 GHz

Sidelobe Envelope Co-Pol (dBi)
100 $\lambda/D < \theta < 20^\circ$ 29-25 log θ dBi
20° < $\theta < 26.3^\circ$ -3.5 dBi
26.3° < $\theta < 48^\circ$ 32-25 log θ dBi
0 > 48°-10 dBi (typical)

Antenna Noise Temperature
10° Elevation80K
20° Elevation60K
30° Elevation44K

Cross Polarization Isolation
within 1.0 dB Beamwidth
RX22 dBi
TX25 dBi

Isolation (Port to Port)
RX80db
TX90db

Output Waveguide Interface Flange
RXWR42
TXWR28

1.2m Rx/Tx Standard Ka-Band Antenna

Mechanical Performance

Reflector MaterialGlass Fiber Reinforced Polyester

Antenna Optics One-Piece Offset Feed Prime Focus

Mount Type Elevation Over Azimuth

Elevation Adjustment Range5° - 90° Continuous
Fine Adjustment

Azimuth Adjustment Range360° Continuous
 $\pm 5^\circ$ Fine Adjustment

Mast Size2.5" SCH 40 Pipe
(2.88" OD) 73.2 mm Diameter

Antenna Weight Approx 51lbs
(Not Including Mast)

Packaged Weight Approx 58 lbs

Environmental Performance

Windloading
Operational45mph (65 km/h)

Functional Survival80mph (128 km/h)

Ultimate Survival125mph (200 km/h)

Survival Temperature-50°C to +80°C

Operational Temperature-40°C to +55°C

Humidity0 to 100% (Condensing)

Corrosion Protection Hardware meets
720 hour Salt Spray Test ASTM B-117)

Solar Radiation360 BTU/h/ ft²

Shock and Vibration As Encountered during
Shipping and handling



Satcom solutions for the long haul



REV 04/16-03
Page 2 of 2

Request A Quote