



**GeosSat**  
**Microwave**

- Dual bands are switchable
- Low power consumption
- Higher reliability from integrated design principle
- Compact size and light weight
- Meet ETSI, FCC standards



## Low Noise Block Ku-Band Ext. Ref. Dual PLL (LNB)

Model: GLKU2LOEN

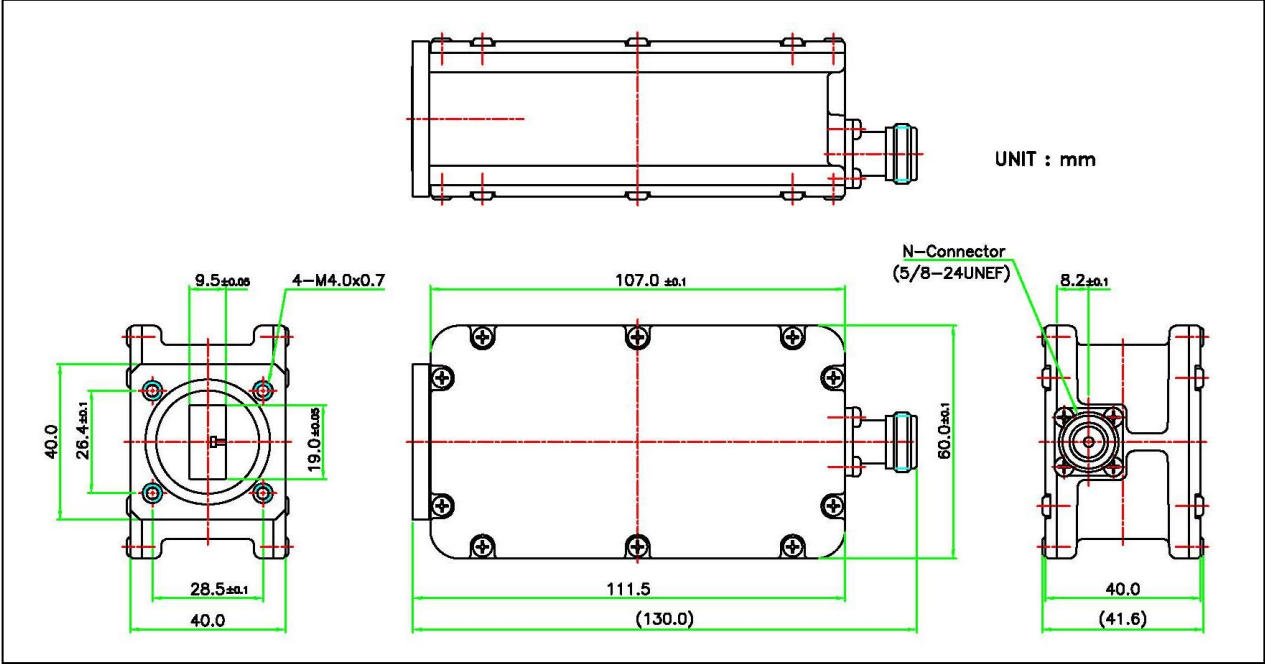
| Section               | Item                          | Specification                    |
|-----------------------|-------------------------------|----------------------------------|
| Band 1                | Input (GHz)                   | 10.7 - 11.7                      |
|                       | Output (MHz)                  | 950 - 1950                       |
|                       | L.O (GHz), Switching          | 9.75 @13 VDC / or 22KHz off      |
| Band 2                | Input (GHz)                   | 11.7 - 12.75                     |
|                       | Output (MHz)                  | 1100 - 2150                      |
|                       | L.O (GHz), Switching          | 10.6 @18 VDC / or 22KHz on       |
| Specifications        | Noise figure (@ +25°C)        | 1.0 dB max.                      |
|                       | Input VSWR                    | 2.5 : 1 max.                     |
|                       | Image rejection               | 40 dBc min.                      |
|                       | Conversion gain               | 60 dB typ. (55dB min. 65dB max.) |
|                       | Output VSWR                   | 2.5 : 1 max.                     |
|                       | Gain flatness                 | 5 dBp-p max.                     |
|                       | Gain ripple (@ per channel)   | 1 dBp-p max.                     |
|                       | 1dB gain compression point    | +5 dBm min.                      |
|                       | Output impedance              | 75, 50 ohms                      |
|                       | Leakage (@input port)         | -45 dBm max.                     |
|                       | L.O stability (over temp.)    | Depends on external reference    |
|                       | Ext. ref. input freq. & power | 10 MHz, -5 to +5 dBm             |
|                       | Ext. ref. input port          | IF output connector              |
|                       | Phase noise                   | Depends on external reference    |
|                       | Power supply                  | +12 to +24V DC                   |
|                       | Required current              | 350 mA max.                      |
| Operating temperature | -40°C to +60°C                |                                  |
| Storage temperature   | -40°C to +80°C                |                                  |
| Relative humidity     | 0% to 95% RH                  |                                  |

Continued on the next page ▼

| Section | Item | Specification |
|---------|------|---------------|
|---------|------|---------------|

|                        |                       |
|------------------------|-----------------------|
| Input waveguide flange | WR- 75                |
| IF output connector    | F-Type, N-Type female |
| Weight                 | 400 g                 |

Mechanical Diagram (Unit: inch (mm))



Request A Quote