



GeosSat
Microwave

- Dual bands are switchable
- Low power consumption
- Higher reliability from integrated design principle
- Compact size and light weight
- Meet ETSI, FCC standards



Low Noise Block Ku-Band Dual PLL (LNB)

Model: GLKU2LON

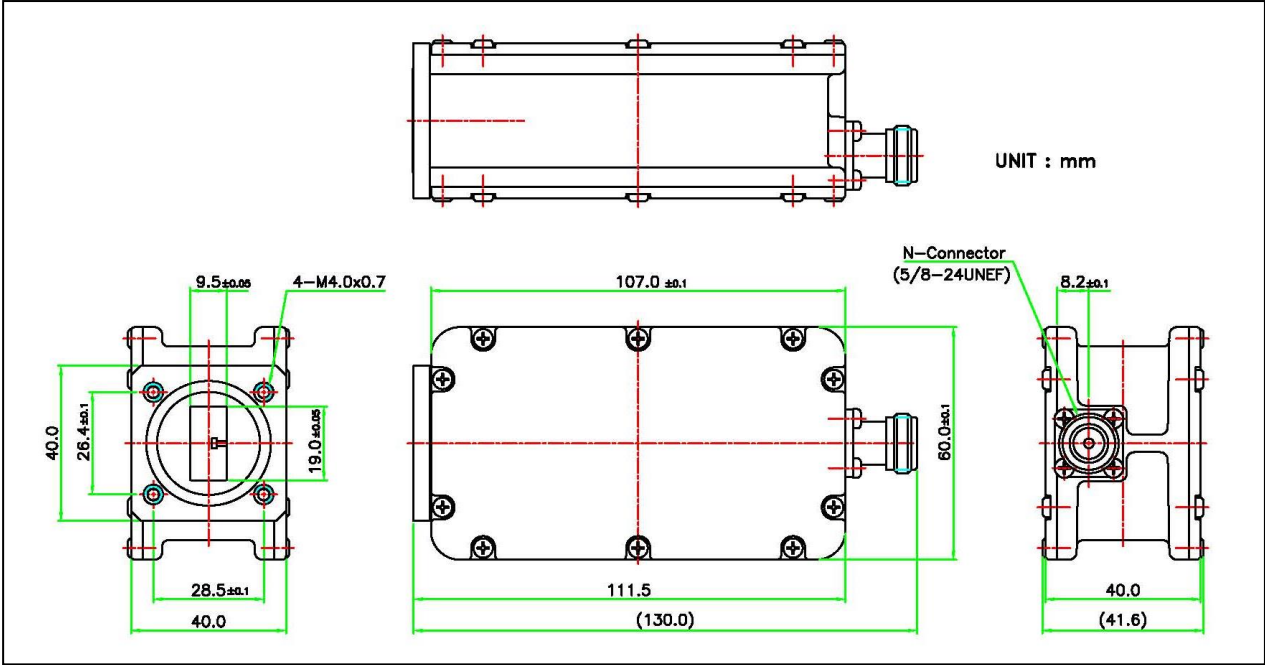
Section	Item	Specification	
Band 1	Input (GHz)	10.7 - 11.7	
	Output (MHz)	950 - 1950	
	L.O (GHz), Switching	9.75 @13 VDC / or 22KHz off	
Band 2	Input (GHz)	11.7 - 12.75	
	Output (MHz)	1100 - 2150	
	L.O (GHz), Switching	10.6 @18 VDC / or 22KHz on	
Specifications	Noise figure (@ +25°C)	1.0 dB max.	
	Input VSWR	2.5 : 1 max.	
	Image rejection	40 dBc min.	
	Conversion gain	60 dB typ. (55dB min. 65dB max.)	
	Output VSWR	2.5 : 1 max.	
	Gain flatness	5 dBp-p max.	
	Gain ripple (@ per channel)	1 dBp-p max.	
	1dB gain compression point	+5 dBm min.	
	Output impedance	75, 50 ohms	
	Leakage (@input port)	-45 dBm max.	
	L.O stability (over temp.)	+/- 25KHz max	
	Phase noise		-70 dBc/Hz (@1KHz)
			-80 dBc/Hz (@10KHz)
			-95 dBc/Hz (@100KHz)
	Power supply	+12 to +24V DC	
Required current	350 mA max.		
Operating temperature	-40°C to +60°C		
Storage temperature	-40°C to +80°C		
Relative humidity	0% to 95% RH		

Continued on the next page ▼

Section	Item	Specification
---------	------	---------------

	Input waveguide flange	WR- 75
	IF output connector	F-Type, N-Type female
	Weight	400 g

Mechanical Diagram (Unit: inch (mm))



Request A Quote