



**GeosSat**  
**Microwave**

- Dual bands are switchable
- Low power consumption
- Higher reliability from integrated design principle
- Compact size and light weight
- Meet ETSI, FCC standards



## Low Noise Block Ku-Band QUAD PLL (LNB)

Model: GLKU4LON

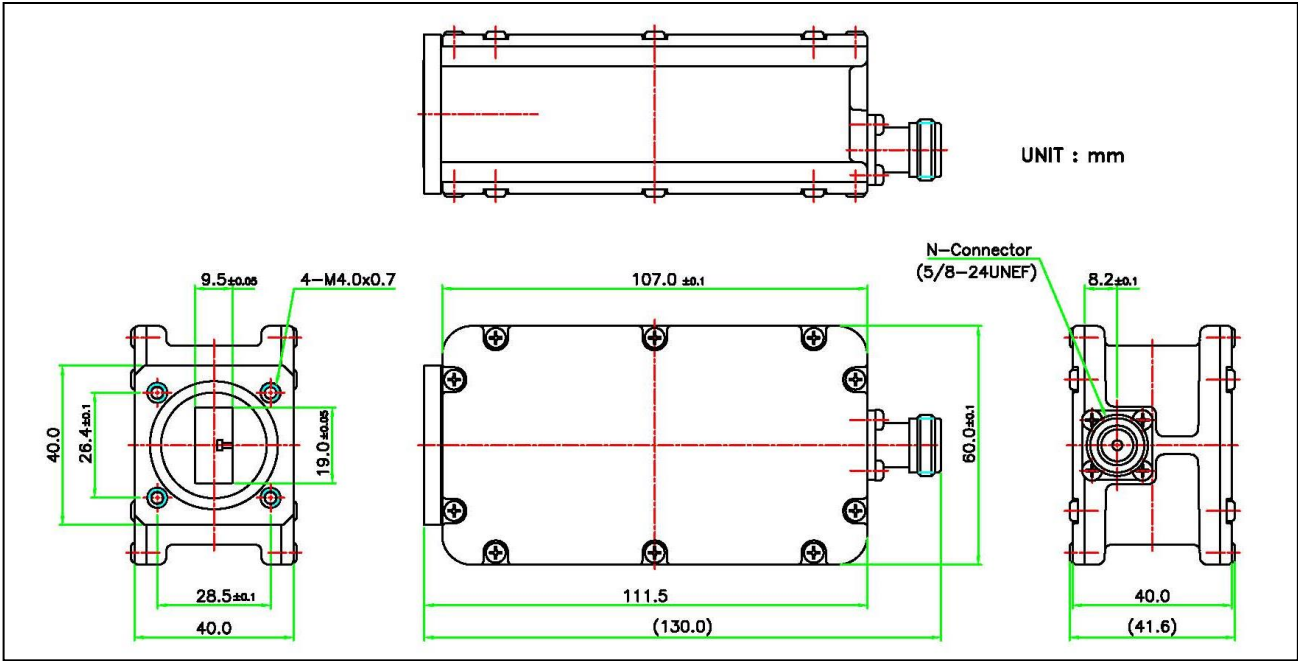
Section	Item	Specification
Band 1	Input (GHz)	10.7 - 11.7
	Output (MHz)	950 - 1950
	L.O (GHz), Switching	9.75 @13 VDC
Band 2	Input (GHz)	10.95 - 11.7
	Output (MHz)	950 - 1700
	L.O (GHz), Switching	10.0 @13 VDC & 22KHz on
Band 3	Input (GHz)	11.7 - 12.75
	Output (MHz)	950 - 2000
	L.O (GHz), Switching	10.75@18 VDC
Band 4	Input (GHz)	12.25 - 12.75
	Output (MHz)	950 - 1450
	L.O (GHz), Switching	11.3 @18 VDC & 22KHz on
Specifications	Noise figure (@+25°C)	1.0 dB max.
	Input VSWR	2.5 : 1 max.
	Conversion gain	60 dB typ. (55dB min, 65dB max)
	Output VSWR	2.5 : 1 max.
	Gain flatness	5 dBp-p max.
	Gain ripple (@ 40MHz)	1 dBp-p max.
	1dB gain compression point	+10 dBm min.
	Output impedance	75, 50 ohms
	Leakage (@ input port)	-45 dBm max.
	L.O stability (over temp.)	+/-10, 25 KHz max.
Phase noise		-70 dBc/Hz (@1KHz)
		-80 dBc/Hz (@10KHz)
		-95 dBc/Hz (@100KHz)

Continued on the next page ▼

Section	Item	Specification
---------	------	---------------

		40 dBc min. @LO 9.75, 10 GHz
	Image rejection	35 dBc min. @LO 10.75 GHz
		15 dBc min. @LO 11.3 GHz
	Power supply	+12 to +24V DC
	Required current	350 mA max.
	Operating temperature	-40°C to +60°C
	Storage temperature	-40°C to +80°C
	Relative humidity	0% to 95% RH
	Input waveguide flange	WR- 75
	IF output connector	F-Type, N-Type female
	Weight	400 g

Mechanical Diagram (Unit: inch (mm))



Request A Quote