



**GeosSat**  
**Microwave**

- Dual bands are switchable
- Low power consumption
- Higher reliability from integrated design principle
- Compact size and light weight
- Meet ETSI, FCC standards



## Low Noise Block C-Band SM-300R series (LNB)

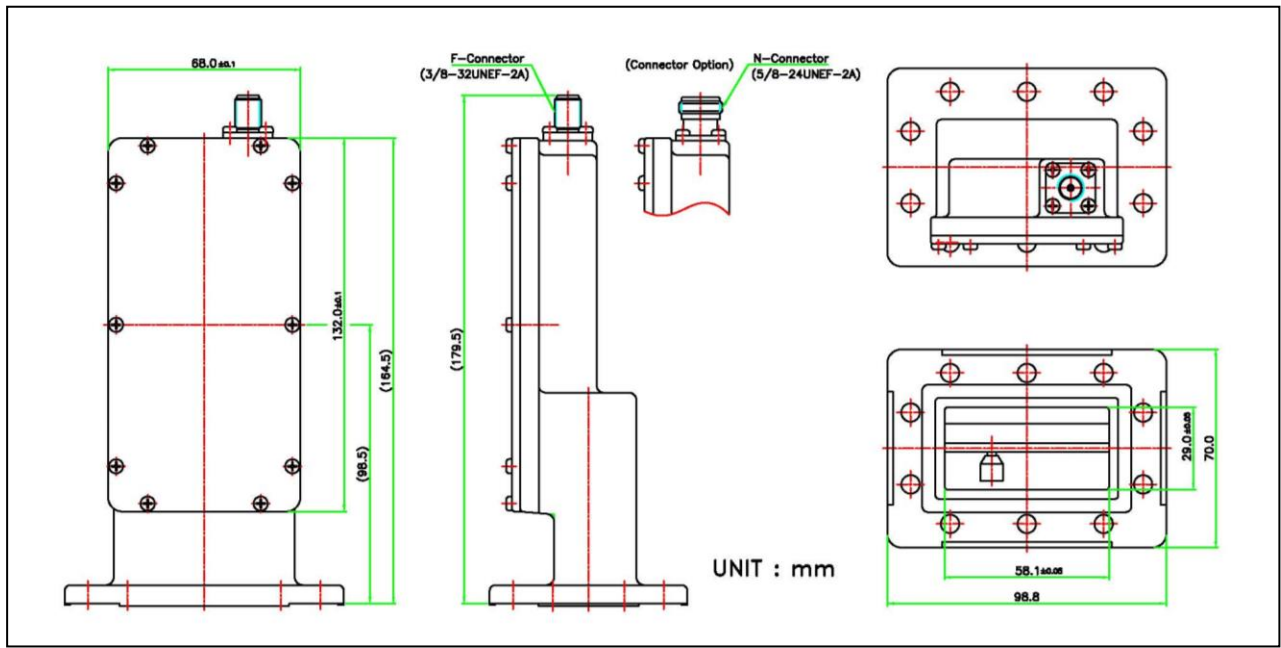
Model: GLCSM300R5, GLCSM300R10, GLCSM300R25

### Specifications

(Temperature condition for the parameters not specified is at 23±3°C)

Parameter	Specification
Input (GHz)	3.7 – 4.2
Output (MHZ)	950 – 1450
LO (GHz)	5.15
LO Stability	±5, 10, 25
Gain (dB)	55-70
N/Temp.'K	30
Noise temperature	30'K max.
Conversion gain at -40 to +60°C	60dB typ. (55dB min. 70dB max.)
Gain flatness	4 dBp-p max
Gain flatness at -40 to +60°C	4 dBp-p max
Gain ripple at per 27MHz, -40 to +60°C	1 dBp-p max
L.O stability at -40 to +60°C	±5, 10, 25 KHz max
Image rejection	45 dBc min -73 dBc/Hz @ 1KHz
Phase noise	-83 dBc/Hz @ 10KHz -93 dBc/Hz @ 100KHz
Output P1dB	+5 dBm min.
Input VSWR	2.5 : 1 max.
Output VSWR	2.5 : 1 max.
Input waveguide flange	WR-229
Output connector	F, N-Type female (option)
Power supply	+12 to +24V DC
Required current	250 mA max
Operating temperature	-40 to +60°C
Waterproof	IP 67
Dimension (exclude connector)	98.8 x 70.0 x 80.5 mm
Weight	550 g

# Mechanical Diagram (Unit: inch (mm))



[Request A Quote](#)