

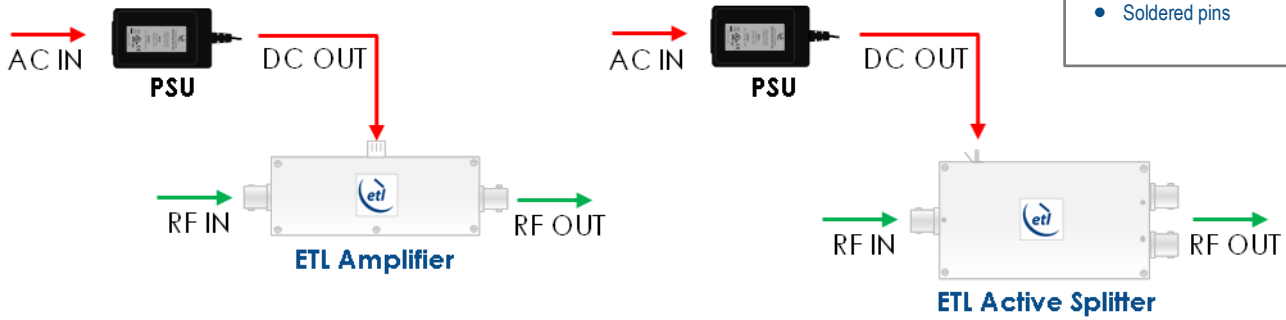
# Switch Mode PSU

- Input range of 100 - 240V (AC)
- Fixed output of 12V
- 1.25A max permissible load

Supplied with IIEC input & available with either:

- 3-pin molex connector
- Soldered pins

## Typical Applications



# Power Supply

## Features

- Over-output voltage protection – unit powers down if output exceeds 15-18V
- EN55022B standard, CE and CUL marked, lead-free
- Short-circuit protection – unit powers down and restarts if short-circuited
- Can power multiple units (max total current not to exceed 1.25A)

### Specifications and max operating parameters for safe and reliable operation

Parameter	Value	Comment
Input voltage range	100-240V (AC) (90-264VAC max)	50-60Hz (47-63Hz Max)
Max input current	0.58A	RMS Max
Max current load	2 A	
Operating temperature	0 to +40°C	Indoor use only
Storage Temperature	-20°C to +80°C	
Humidity	10% to 90%	Non-condensing

### Broadcast



### Marine Oil & Gas



### SNG & VSAT



### Satellite Teleport



We are pleased to offer the following options for customisation of our power supplies to best meet our customer requirements

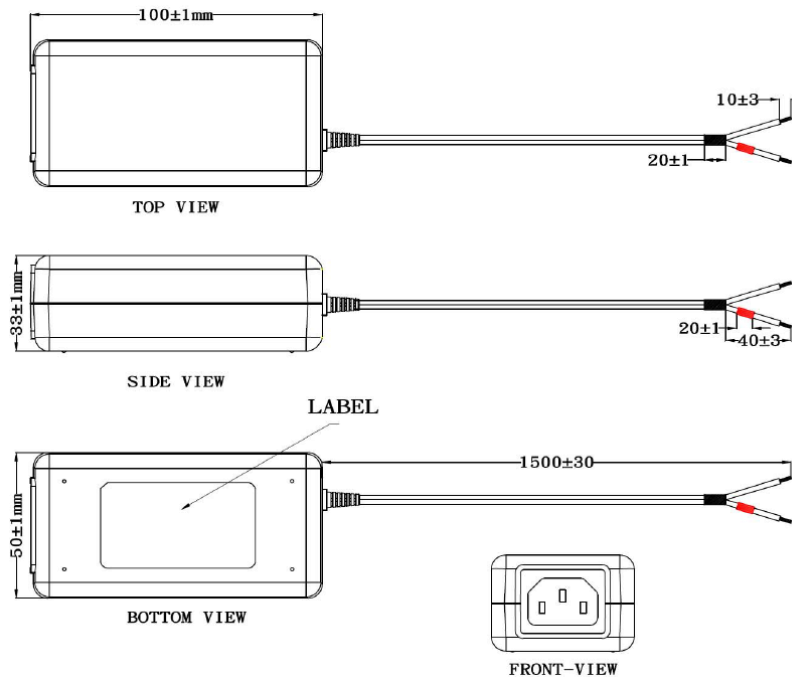
**Option 1-ML2**

Supplied with Female Molex connector on the PSU output.

**Option 2- CABMLX-1500-M**

Male Molex cable assembly supplied with the Male plug on a 1M length of cable.

**Physical Dimensions (mm)**



PSU range available			
Model Number	Input	Output	Other
PSU12F125-9701-SLP	100-240V (AC), 0.58A	12V (DC), 2 A	Solder pin output (Red sleeve = Positive)
PSU12F125-9701-ML2	100-240V (AC), 0.58A	12V (DC), 2 A	Female 3 pin Molex socket
PSU12F125-9701-ML3	100-240V (AC), 0.58A	12V (DC), 2 A	Female 16 Pin Molex Socket (For use with 400 series Fibre components only)
PSU12F125-9701-RML3	100-240V (AC), 0.58 A	12V (DC), 2 A	Dual redundant PSU option with 2 PSU's configured to 1 Female 16 Pin Molex Socket (For use with 400 series Fibre components only)
PSU120V02-9702-SLP	100-240V (AC), 1.2A	12V to 24V (DC), 5A	Solder pin output (Red sleeve = Positive)
PSU120V02-9702-ML2	100-240V (AC), 1.2A	12V to 24V(DC) 5A	Female 3 pin Molex socket
PSU48F150-9703-SLP	100-240V (AC), 2.5A	48V (DC), 3.13A	Solder pin output (Red sleeve = Positive)
PSU48F150-9703-ML2	100-240V (AC), 2.5A	48V (DC), 3.13A	Female 3 pin Molex socket

Note: The specification is subject to regular reviews and will be updated from time to time as part of our continuing product development and improved specification accuracy.

[Request A Quote](#)

