

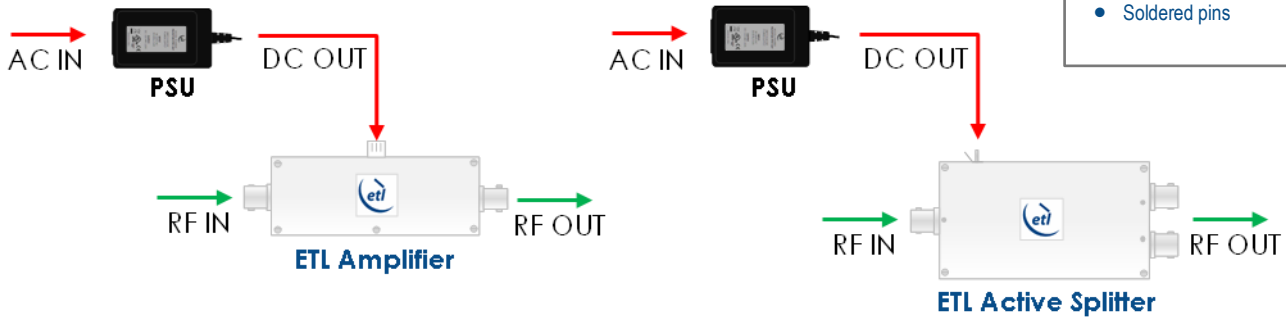
Switch Mode PSU

- Input range of 96 - 264V (AC)
- Fixed output of 5V
- 4 A max permissible load

Supplied with IEC input C14 & output is available with either:

- 3-pin molex connector
- Soldered pins

Typical Applications



Power Supply

Features

- Over-output voltage protection – unit powers down if output exceeds 4.0 A
- Input protection fused at 2.0 Amps
- EN55022:2010/AC:2011 standard, CE and CUL marked, lead-free
- Short-circuit protection – Auto recovery
- Can power multiple units (max total current not to exceed 4.0A)

Specifications and max operating parameters for safe and reliable operation

Parameter	Value	Comment
Input voltage range	100-240V (AC) (90-264VAC max)	50-60Hz (47-63Hz Max)
Max input current	0.8A	Max
Max current load	4.0 A	
Operating temperature	0 to +40°C	Indoor use only
Storage Temperature	-20°C to +70°C	
Humidity	10% to 95%	Non-condensing

Broadcast



Marine Oil & Gas



SNG & VSAT



Satellite Teleport



We are pleased to offer the following options for customisation of our power supplies to best meet our customer requirements

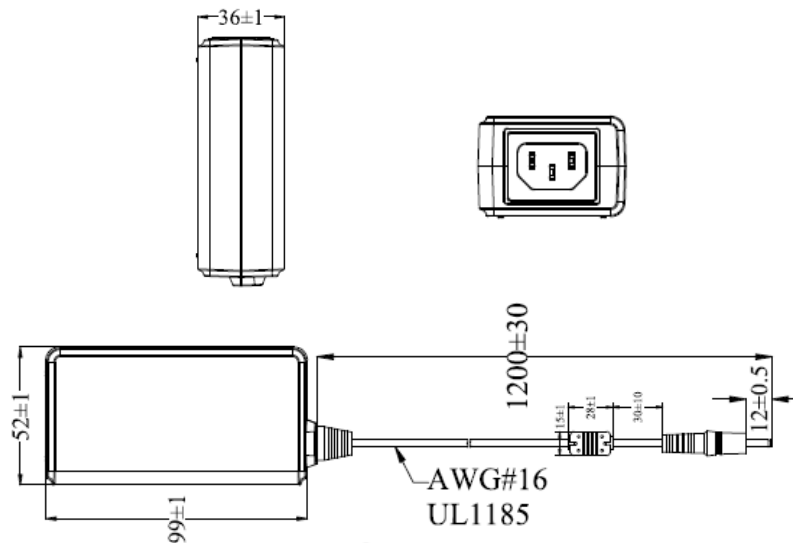
Option 1-ML2

Supplied with Female Molex connector on the PSU output.

Option 2- CABMLX-1500-M

Male Molex cable assembly supplied with the Male plug on a 1M length of cable.

Physical Dimensions (mm)



PSU range available			
Model Number	Input	Output	Other
PSU12F125-9701-SLP	100-240V (AC), 0.58A	12V (DC), 2 A	Solder pin output (Red sleeve = Positive)
PSU12F125-9701-ML2	100-240V (AC), 0.58A	12V (DC), 2 A	Female 3 pin Molex socket
PSU12F125-9701-ML3	100-240V (AC), 0.58A	12V (DC), 2 A	Female 16 Pin Molex Socket (For use with 400 series Fibre components only)
PSU12F125-9701-RML3	100-240V (AC), 0.58 A	12V (DC), 2 A	Dual redundant PSU option with 2 PSU's configured to 1 Female 16 Pin Molex Socket (For use with 400 series Fibre components only)
PSU120V02-9702-SLP	100-240V (AC), 1.2A	12V to 24V (DC), 5A	Solder pin output (Red sleeve = Positive)
PSU120V02-9702-ML2	100-240V (AC), 1.2A	12V to 24V(DC) 5A	Female 3 pin Molex socket
PSU48F150-9703-SLP	100-240V (AC), 2.5A	48V (DC), 3.13A	Solder pin output (Red sleeve = Positive)
PSU48F150-9703-ML2	100-240V (AC), 2.5A	48V (DC), 3.13A	Female 3 pin Molex socket

Note: The specification is subject to regular reviews and will be updated from time to time as part of our continuing product development and improved specification accuracy.

[Request A Quote](#)

