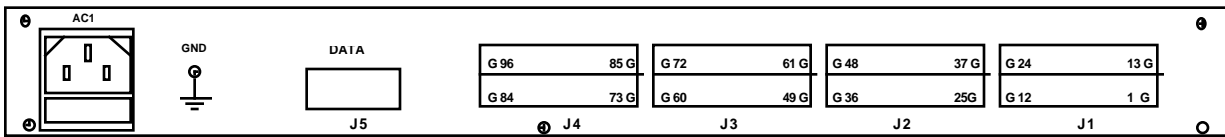
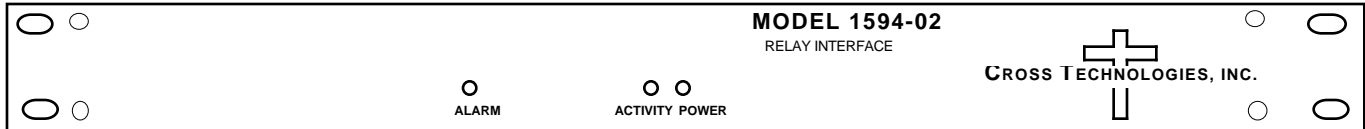


1594-02 RELAY INTERFACE

The 1594-02 detects presence of a contact closure to ground on any of up to 96 inputs and provides a serial data stream which provides real time indication of each channel's status (closure to ground or open). The internal processor sequentially polls up to 96 inputs by a 96 channel multiplexer and provides a continuous serial data stream containing a header code followed by 96 bits of information which are logic one if the corresponding input has a closure to ground and logic zero if the corresponding input is open. A check sum byte follows for error detection. The output data is 9600 baud, no parity, 8 bits, 1 stop at RS232C levels. A 90 - 260 VAC power supply provide DC power to the 1594-02. The unit is housed in a 1 3/4", rack mount chassis.



1594-02 RELAY INTERFACE FRONT AND REAR PANELS

1594-02 Technical Specifications

Data Characteristics

Output RS232C
 Data rate 9.6 kB/s, Async
 Connector DB9, female

External Closure Characteristics

Type Closure to ground
 Closure resistance 200
 Switch after closure 0.20 sec for system
 Connector Terminal Block

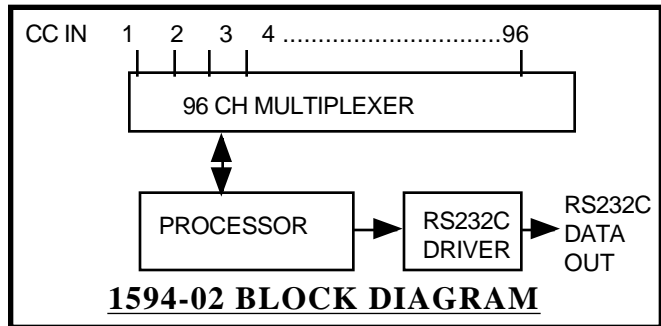
Indicators

ALARM Red LED lights if processor quits
 ACTIVITY Green LED lights when closures present
 POWER Green LED lights when power is on

Other

Mechanical 19 inch standard chassis 1.75"high X 8.5" deep
 Power 90 - 260 VAC, 47 - 60Hz, 10 watts;

*Specifications subject to change without notice



[Request A Quote](#)