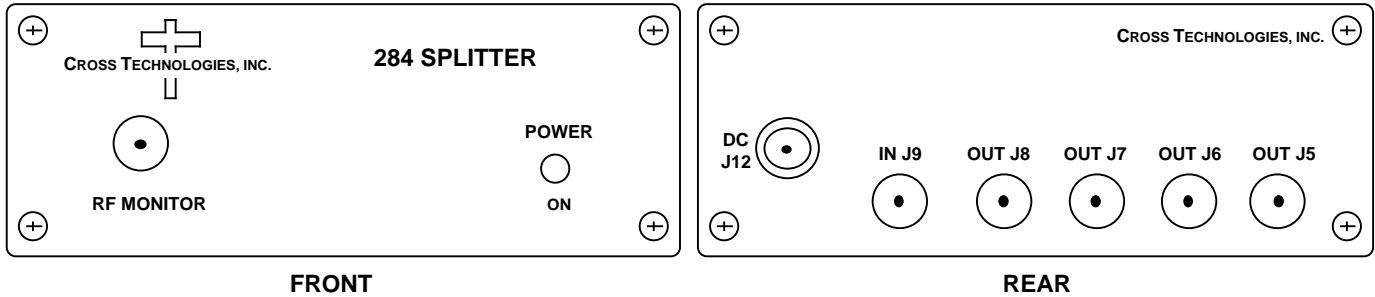


**284-0X Series L-Band Splitters**

The Model 284-0X RF Splitters are five or nine way, 950 - 2050 MHz, 0 dB gain splitters providing excellent RF characteristics. Each splitter has a monitor connector on the front panel and four or eight outputs on the back panel. A SiDactor surge suppressor on the RF input protects against high voltage transients. On the front panel, a green LED indicates the presence of DC voltage. Up to three 284s can be mounted on an 1 3/4" X 19" rack mount panel (**option -R1, -R2, or -R3**).



**284-05 Front and Rear Panels**

**EQUIPMENT SPECIFICATIONS\***

**Input Characteristics**

- Input Impedance 75Ω
- Return Loss 12dB min, 14dB typ
- Input Level -20 dBm total maximum

**Output Characteristics**

- Impedance 75Ω
- Return Loss 12dB min, 14dB typ

**In-Band Characteristics**

- Gain 0 dB ± 1.0 dB
- Frequency Response ± 1.0 dB, 950-2150 MHz;  
± 0.5 dB, any 20 MHz increment
- Port to Port Isolation > 18dB, 20dB typ

**Indicators**

- Power Green LED indicates DC voltage prior to diode OR

**Other**

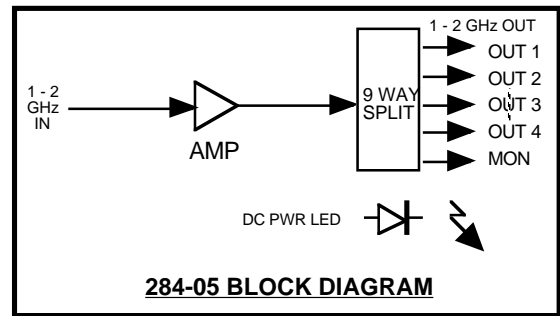
- Surge Suppressor SiDACTOR
- RF connectors Type F (female)
- Power 115 VAC wall mount power supply
- Size (Bench Top) 4.7" wide x 1.75" high X 6.5" deep

**Options**

- R1,-R2, or -R3 Rack mounting (mounted on a 19-inch standard (1RU) panel, 1.75" high x 7.0" deep)
- C No wall mount power supply (use 2000-02 model power supply)
- P2 **100-240 ±10% VAC** wall mount power supply
- D 50Ω BNC (RF), 50Ω BNC (IF) STD
- W9 10MHz pass through (J9 to J8)

**Models**

- 284-05 One 5-way Splitter
- 284-09 One 9-way Splitter



\*10°C to 40°C; Specifications subject to change without notice

Request A Quote