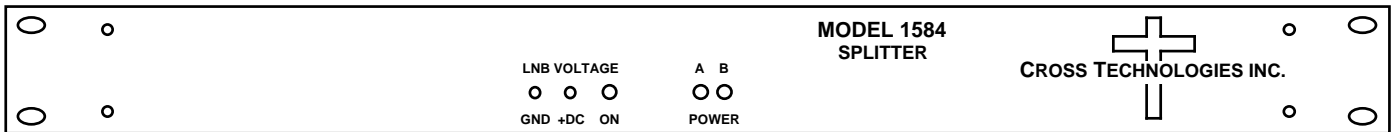
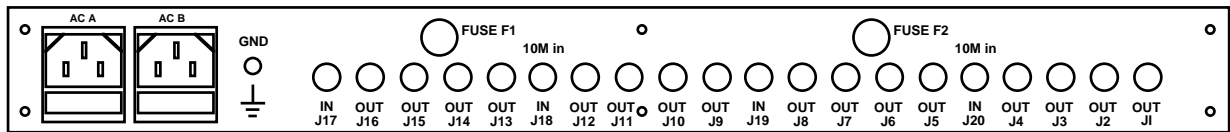


1584-29/29S* RF Splitter

The Model 1584-29/29S* has two eight-way, 0.95 - 2.05 GHz, 0 dB gain splitter in a 1RU rack mount chassis with redundant 100-240 ± 10% VAC power supplies. Each splitter provides surge protection on the RF input, and provides excellent RF characteristics. Each splitter has eight outputs on the back panel, and fused LNB power can be inserted on each input. Two individual 100-240 ± 10% VAC input power supplies provide diode OR'd redundant power to the unit*. A surge suppressor on each splitter input protects against high voltage transients. On the front panel, two green LED's indicate the presence of DC voltage from each of the two power supplies, and another green LED indicates LNB power insertion. Two test points are also provided on the front panel to monitor the LNB voltage. ***LNB Power Insertion feature NOT available on 1584-29S model. Option -E allows an external 10 MHz signal to be inserted on each RF input.**



1584-29/29S FRONT PANEL (-29 SHOWN)



1584-29/29S REAR PANEL(-29 Shown with Option -E)

EQUIPMENT SPECIFICATIONS***

Input Characteristics

Input Impedance 75Ω (50Ω, Option -D)
 Return Loss 12dB min, 14dB typ
 Input Level -20 dBm total maximum

Output Characteristics

Impedance 75Ω (50Ω, Option -D)
 Return Loss 12dB min, 14dB typ

In-Band Characteristics

Gain 0 dB ± 1.0 dB
 Frequency Response ± 1.0 dB, .95 - 2.05 GHz;
 ± 0.5 dB, any 20 MHz incr.
 Port to Port Isolation > 18 dB, 20 dB typ

Indicators

Power Green LED indicates DC voltage prior to diode OR
 LNB DC Voltage Green LED indicates LNB power insertion on splitter input (J17)

Other

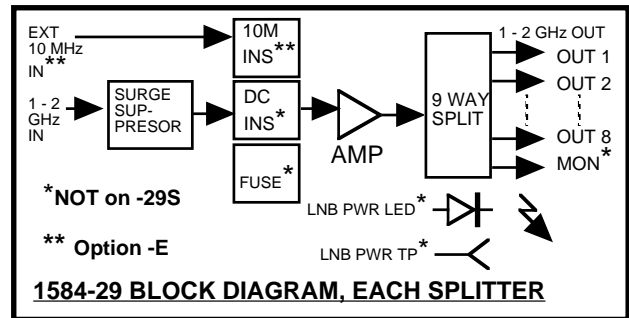
LNB DC voltage 22 ± 2 VDC
 Output LNB current 300 ma, max
 Surge Suppressor SiDACTOR
 RF connectors Type F (female)
 AC Power Redundant switching power supplies, 100-240 ± 10% VAC, 47 - 63 Hz, 30 watts max

***NOTE: Model 1584-29S has a single non-redundant, switching power supply and does NOT provide the LNB Power Insertion feature.**

Mechanical 19 inch standard chassis 1.75" high X 12" deep

Options

-B 75Ω, BNC RF Connectors
 -D 50Ω, BNC RF Connectors
-W9 10 MHz pass through (J17 to J16) and (J19 to J8)
-E external 10 MHz insertion (J18 and J20); 1dB max insertion loss; 75 Ω (works with 50 Ω)



***10°C to 40°C; Specifications subject to change without notice

