

## 2000-15-4848 Power Supply

The 2000-15-4848 Power Supply uses a +42VDC - +60VDC input to provide +48VDC @ 10A, +24VDC @ 6A and +5V @ 3A outputs. An optional +12VDC @ 4A output can be provided (Option W90) as well as two L-Band DC insertion SMA loop-throughs (Option W92). One loop through for BUC applications provides either +24VDC or +48VDC insertion @ 3A and another loop through provides +24VDC for LNB applications. Voltage and Current monitoring as well as power switching are all accomplished via an Ethernet (RJ-45) webpage interface. Circuit board LEDs indicate power supply status and fault condition. The power supply assembly is packaged in a 7" X 7" X 1.25" printed circuit board assembly that is mounted to a customers aluminum enclosure using sixteen 4-40 screws.

### EQUIPMENT SPECIFICATIONS\*

#### DC Input Characteristics\*\*

Voltage +42VDC to +60VDC  
 Input Power 800W Maximum

#### DC Output Characteristics\*\*

Voltage/Current +48VDC @ 10Amps Maximum  
 +24VDC @ 6Amps Maximum  
 +5VDC @ 5Amps Maximum  
 +12VDC @ 4Amps Maximum  
 Option W90, Additional Output +24/+48VDC @ 4Amps Maximum  
 Option W92, Dual Loop-throughs, BUC & LNB +24V @ 1Amp Maximum  
 Load Regulation ± 5% Maximum

#### LED Indicators

Power Green  
 DC Outputs Enabled Green (Quantity 4 - 6)  
 Alarm (Fuse) Red  
 Ethernet Activity Green & Amber (RJ-45)

#### L-Band Loop-Throughs

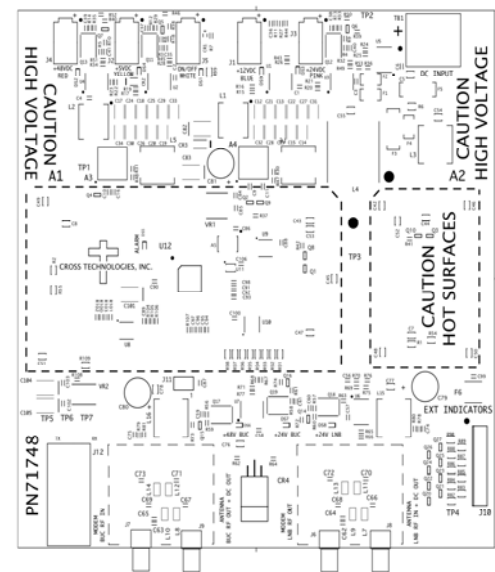
Frequency Range 950-2150 MHz & 10MHz  
 Return Loss 12dB Typical, 10db Minimum  
 Insertion Loss 1dB Maximum  
 Frequency Response ± .5dB Maximum (L-Band)

#### Physical Characteristics

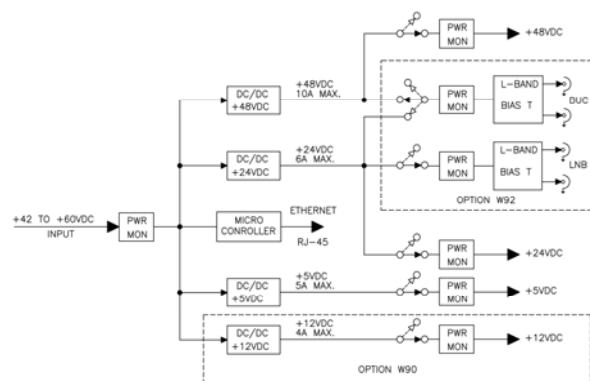
Size 7" X 7" X 1.5"  
 Weight < 1.5 lbs.  
 Mounting 4-40 Screws (Quantity 16)

#### Environmental

Temperature\*\*\* 0°C - +50°C  
 Humidity < 95%, Non-Condensing



2000-15-4848 MECHANICAL



2000-15-4848 BLOCK DIAGRAM

\*Specifications subject to change without notice

\*\*Consult Factory for different Input and Output Voltage Requirements

\*\*\*Temperature specification assumes mounting to aluminum surface ≥ 100 inches.

Request A Quote